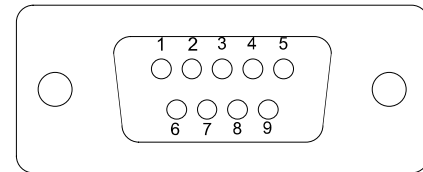
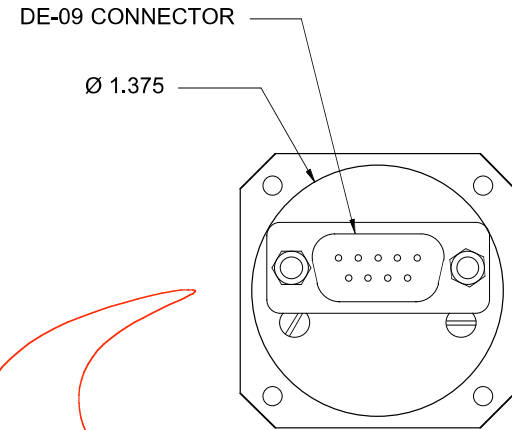
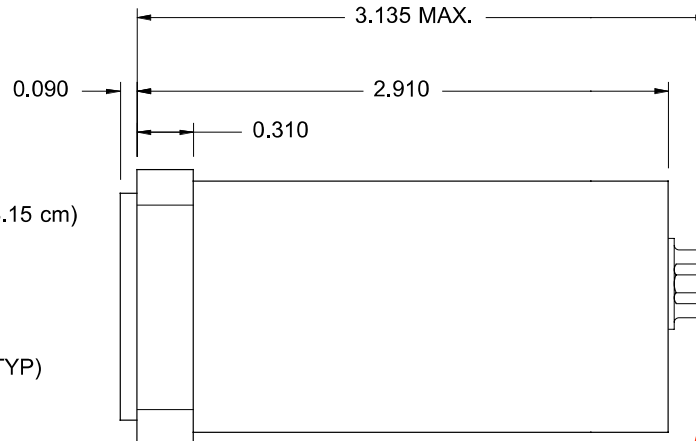
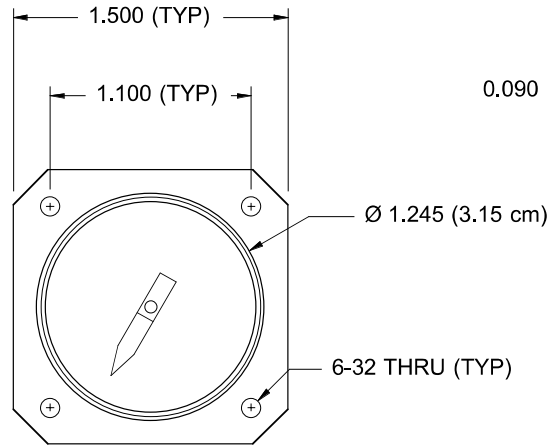
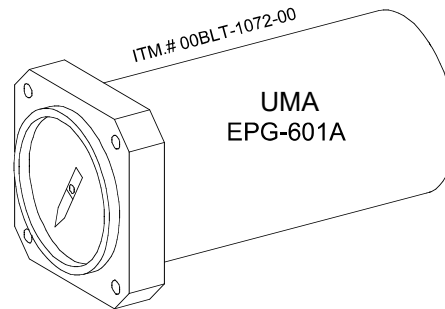
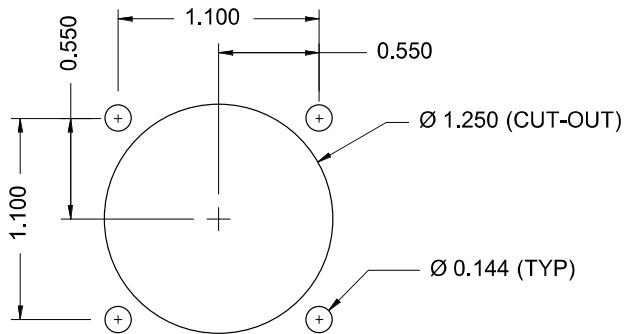


REVISION HISTORY				
REV	MO-DA-YR	NEO / ECO	APPROVED	NOTES
A	11-24-00	PLM	PLM	CORRECTED HOLE SPACING & DIA.
B	07-07-07	PLM	PLM	UPGRADED DRAWING TO REFLECT CURRENT VERSION OF GAUGE
C	10-06-11	PLM	PLM	SIMPLIFIED REAR-VIEW DETAIL
D	2024-11-21	2024-064	KQM	REVISED PIN 3, N/C



- 1: +12 TO +32 VDC POWER INPUT
- 2: INTERNALLY CONNECTED TO PIN 1
- 3: N/C (connecting to N/C may damage gauge)
- 4: N/C
- 5: INPUT (4 - 20 MA PRESSURE SENDING UNIT)
- 6: EL INTERNAL LIGHTING AC INPUT
- 7: EL INTERNAL LIGHTING AC INPUT
- 8: INTERNALLY CONNECTED TO PIN 9
- 9: GROUND



MODEL EPG-601A
ITM.# 00BLT-1072-00

UNLESS OTHERWISE SPECIFIED DIMS ARE IN INCHES.
 TOLERANCES ARE:

0.X	±0.015	ANGLES	FRACTIONS	63
0.XX	±0.010	± 0.5°	± 1/64	
0.XXX	±0.005			

INTERPRET GD&T PER ASME 14.5 FMT REV G

THIRD ANGLE PROJECTION



DO NOT SCALE DRAWING



MOUNTAIN HIGH
 E&S CO.
 REDMOND, OR. USA

[KC]
 00

NUMBER OF KEY CHARACTERISTICS
 IN THIS DRAWING / DOCUMENT
 PER MH DOC: ESR-001

ORIG.:	PLM	11-10-00	OXYGEN E-GAUGE, 1.5" FORM-FACTOR (SCD)	
DRWN.:	PLM	11-10-00	DWG. # 0EPG6-051-001	REV D SIZE A
ENG.:	PLM	11-10-00	MOD.# EPG-601A	ITM.# 00BLT-1072-00
APPR.:	NAME	MO-DA-YR	SHEET 1 OF 1	CUSTOMER CODE