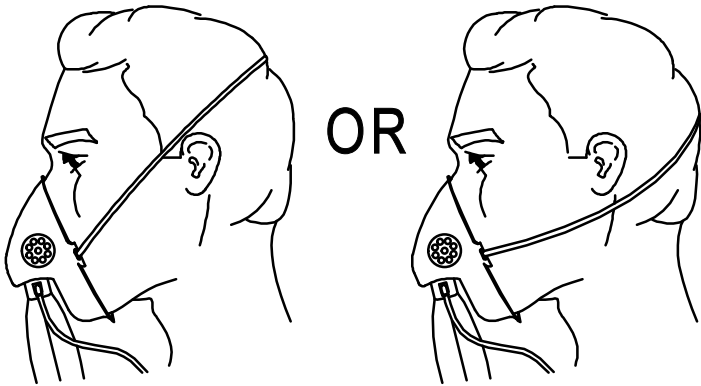


Donning instructions:

1. Place mask over your face covering both nose and mouth area, then slip elastic band over your head. The strap may be placed above or below your ears (see illustration below).
2. Adjust elastic band by pulling the band ends through the mask tabs until a comfortable, secure fit is achieved.
3. Pinch noseclip to provide a seal around the nose.
4. Attach the other end of the tubing with the BNC connector into your aircraft's ACR oxygen outlet and breathe normally.

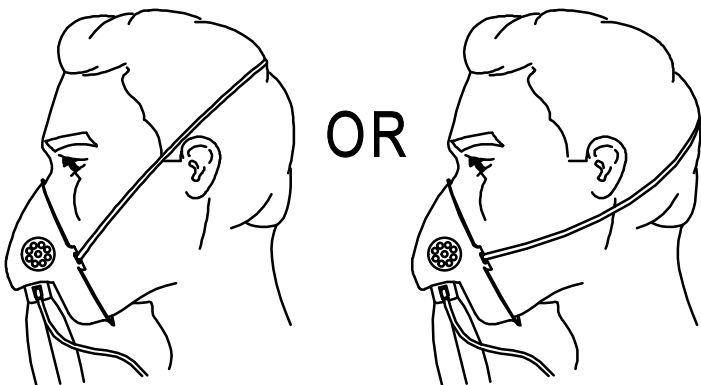


51BNC-102x-02\$-

Made in the USA

Donning instructions:

1. Place mask over your face covering both nose and mouth area, then slip elastic band over your head. The strap may be placed above or below your ears (see illustration below).
2. Adjust elastic band by pulling the band ends through the mask tabs until a comfortable, secure fit is achieved.
3. Pinch noseclip to provide a seal around the nose.
4. Attach the other end of the tubing with the BNC connector into your aircraft's ACR oxygen outlet and breathe normally.



51BNC-102x-02\$-

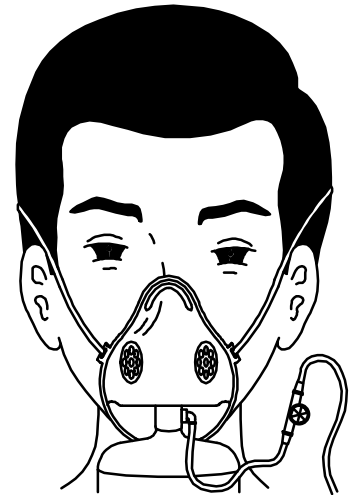
Made in the USA

ALTITUDE COMPENSATING REGULATOR (ACR) SYSTEM FACEMASK

- 00BNC-1020-02 (BNC 750) _____
- 00BNC-1022-02 (BNC 566) _____
- 00BNC-1024-02 (BNC Scott) _____



EXPIRATION DATE STAMP



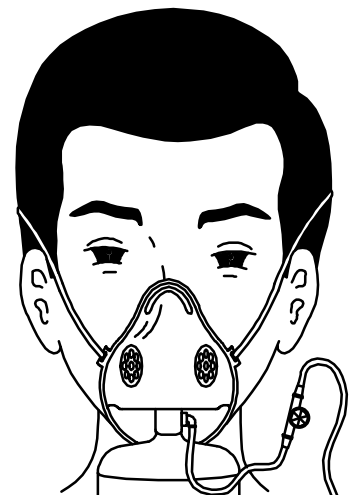
2244 SE Airport Way Suite 100, Redmond, Oregon 97756-7537 • 800-468-8185 • www.mhoxygen.com

ALTITUDE COMPENSATING REGULATOR (ACR) SYSTEM FACEMASK

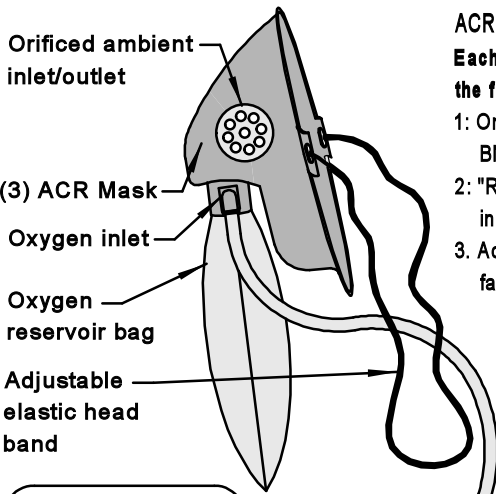
- 00BNC-1020-02 (BNC 750) _____
- 00BNC-1022-02 (BNC 566) _____
- 00BNC-1024-02 (BNC Scott) _____



EXPIRATION DATE STAMP



2244 SE Airport Way Suite 100, Redmond, Oregon 97756-7537 • 800-468-8185 • www.mhoxygen.com



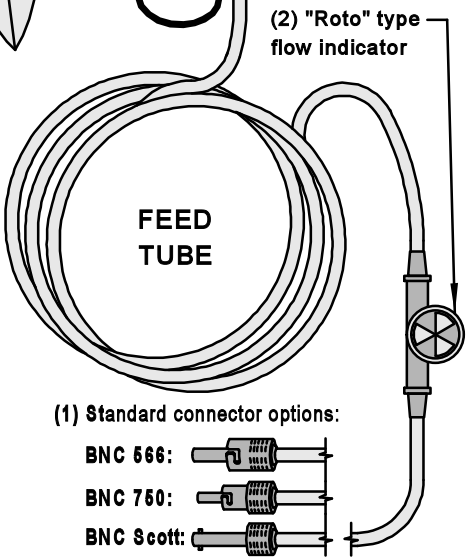
ACR O2 FACE MASK

Each ACR type face mask contains the following items:

- 1: One of three connector options: BNC 566, 750, & Scott).
- 2: "Roto" type positive inline flow indicator.
3. Accumulating type non-rebreather face mask.

NO SMOKING
FAR 23.1447
(02.16.2023)
 *DO NOT SMOKE WHILE USING OXYGEN.
 *For use above or below 18,000 ft. MSL., not to exceed 30,000ft. MSL

Your ACR face mask should be inspected before each flight and replaced if cracked, plugged, or excessively soiled.

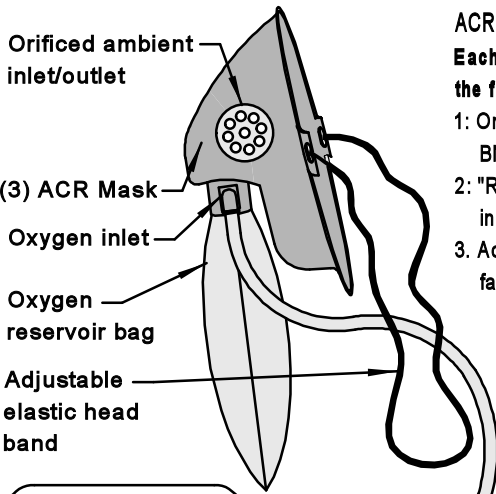


IMPORTANT NOTE: The Altitude Compensating Regulator (ACR) System facemask is a personal device and for health reasons should not be shared between persons. The face mask should be replaced periodically, because even with the best cleaning efforts, bacteria and such can contaminate the mask and pose a health risk.

Face mask cleaning instructions:

After each use, wipe the facemask inside and outside with a cleaning wipe (MH p/n 00VEN-0077-00) or standard alcohol wipe. Hang facemask and allow to air-dry in a clean, dry environment between 40°F and 95°F. Ensure facemask is fully dry before use. Replace facemask when it becomes excessively soiled.

Flow Indicator:



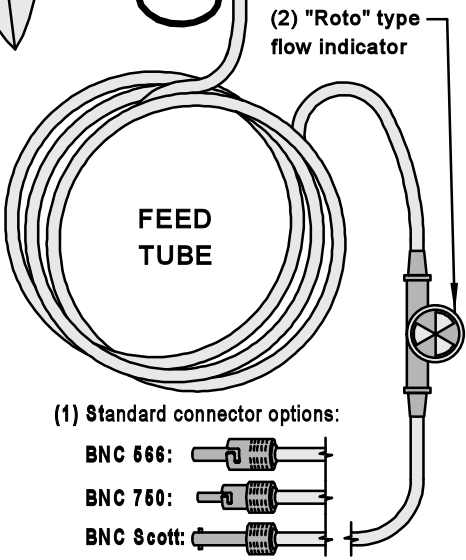
ACR O2 FACE MASK

Each ACR type face mask contains the following items:

- 1: One of three connector options: BNC 566, 750, & Scott).
- 2: "Roto" type positive inline flow indicator.
3. Accumulating type non-rebreather face mask.

NO SMOKING
FAR 23.1447
(02.16.2023)
 *DO NOT SMOKE WHILE USING OXYGEN.
 *For use above or below 18,000 ft. MSL., not to exceed 30,000ft. MSL

Your ACR face mask should be inspected before each flight and replaced if cracked, plugged, or excessively soiled.



IMPORTANT NOTE: The Altitude Compensating Regulator (ACR) System facemask is a personal device and for health reasons should not be shared between persons. The face mask should be replaced periodically, because even with the best cleaning efforts, bacteria and such can contaminate the mask and pose a health risk.

Face mask cleaning instructions:

After each use, wipe the facemask inside and outside with a cleaning wipe (MH p/n 00VEN-0077-00) or standard alcohol wipe. Hang facemask and allow to air-dry in a clean, dry environment between 40°F and 95°F. Ensure facemask is fully dry before use. Replace facemask when it becomes excessively soiled.

Flow Indicator:

