

1

2

3

4

A

A

B

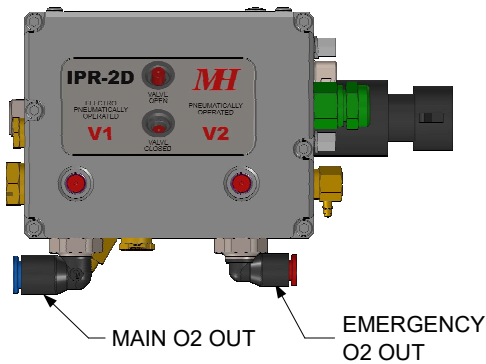
B

C

C

D

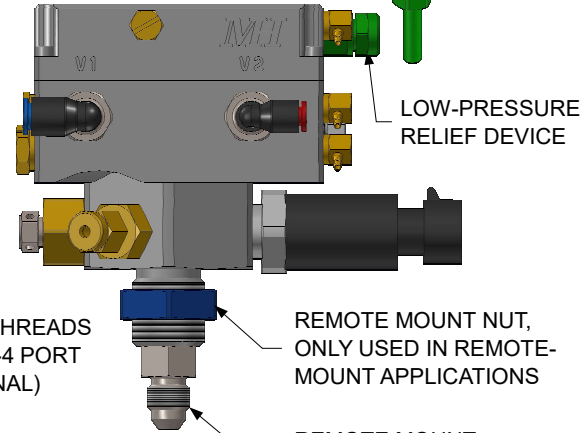
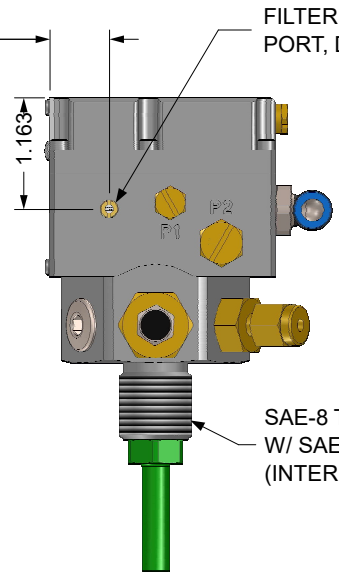
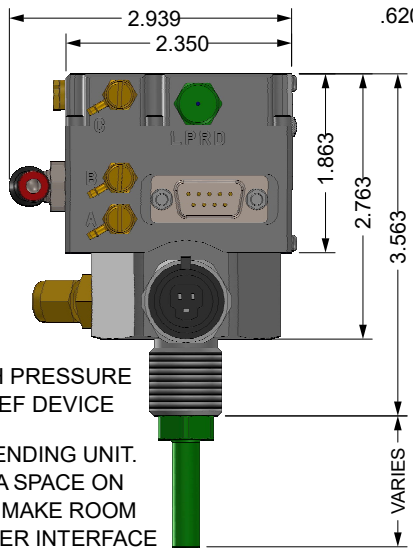
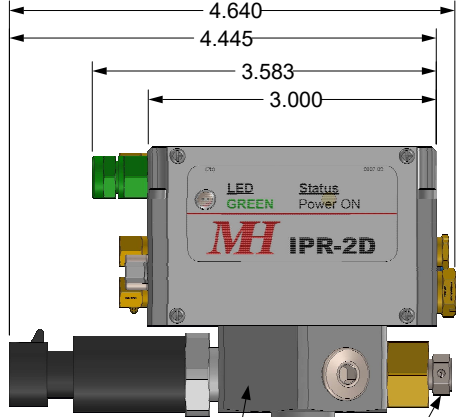
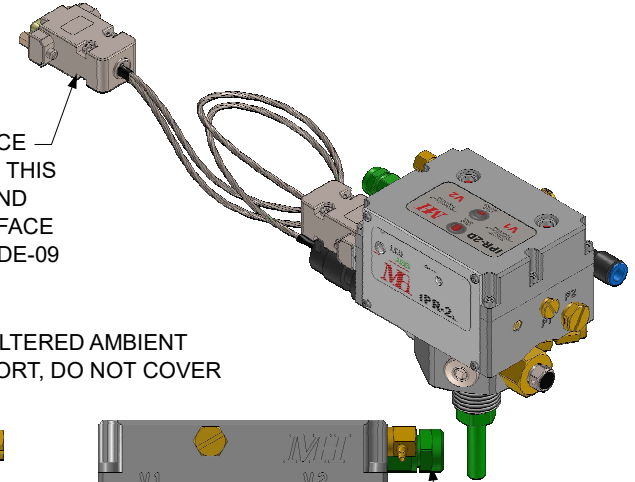
D



NOTES:

- ALL DIMENSIONS ARE IN INCHES.
- SEE EDS 2IP-4IP MANUAL FOR DETAILED OPERATION AND INSTALLATION SPECIFICATIONS.
- SEE EDS 2IP-4IP FOR WIRING SCHEMATICS
- IN HIGH-PRESSURE INTERFACE SECTION, ALL FOUR SAE-4 FITTING LOCATIONS ARE INTERCHANGEABLE. STOCK CONFIGURATION IS SHOWN

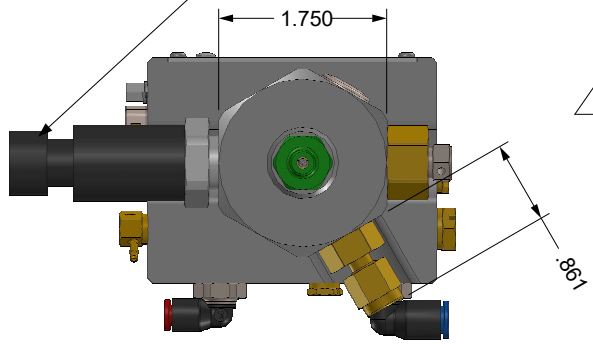
REVISION HISTORY			
REV	ECO NO. YYYY-MM-D	NAME	NOTES
-	2024-046 2024-08-14	KQM	Initial Release



HIGH-PRESSURE INTERFACE SECTION, (4) SAE-4 PORTS

PRESSURE SENDING UNIT. ALLOW EXTRA SPACE ON THIS SIDE TO MAKE ROOM FOR CUSTOMER INTERFACE CABLE

TANK DIP-TUBE, NOT USED IN REMOTE-MOUNT APPLICATIONS



UNLESS OTHERWISE SPECIFIED, DIMENSIONS ARE IN INCHES. DIMENSIONS IN [] ARE MILLIMETERS (REF)
TOLERANCES ARE:
0.X ±0.015 ANGLES ±3°
0.XX ±0.010 FRACTIONS ±1/64
0.XXX ±0.005
INTERPRET GD&T PER ASME 14.5

MH MOUNTAIN HIGH E&S CO. REDMOND, OR. USA

THIS DOCUMENT AND ALL TECHNICAL DATA HEREON DISCLOSED ARE PROPERTY OF MOUNTAIN HIGH E&S CO. AND SHALL NOT BE USED, RELEASED OR DISCLOSED IN WHOLE OR PART WITHOUT WRITTEN PERMISSION FROM MOUNTAIN HIGH E&S CO. THIS DOCUMENT MUST BE RETURNED TO MOUNTAIN HIGH E&S CO. IMMEDIATELY UPON REQUEST.

THIRD ANGLE PROJECTION	DRAWN	KQM	DOC. TITLE		IPR-2D Form Factor Detail
	CHECKED	EAM	5IPR2-080-000		
DO NOT SCALE DRAWING	ENGINEER	JB	SRC	INV. PART NUMBER	DWG REV. -
	APPROVED	HBS	AIPR2-110-000\$A1	MODEL #: IPR-2D	
	DWG FORMAT:	HBS	DWG SCALE	1:2	DWG SHEET 1 OF 1
					DWG SIZE A 11x8 1/2

1

2

3

4