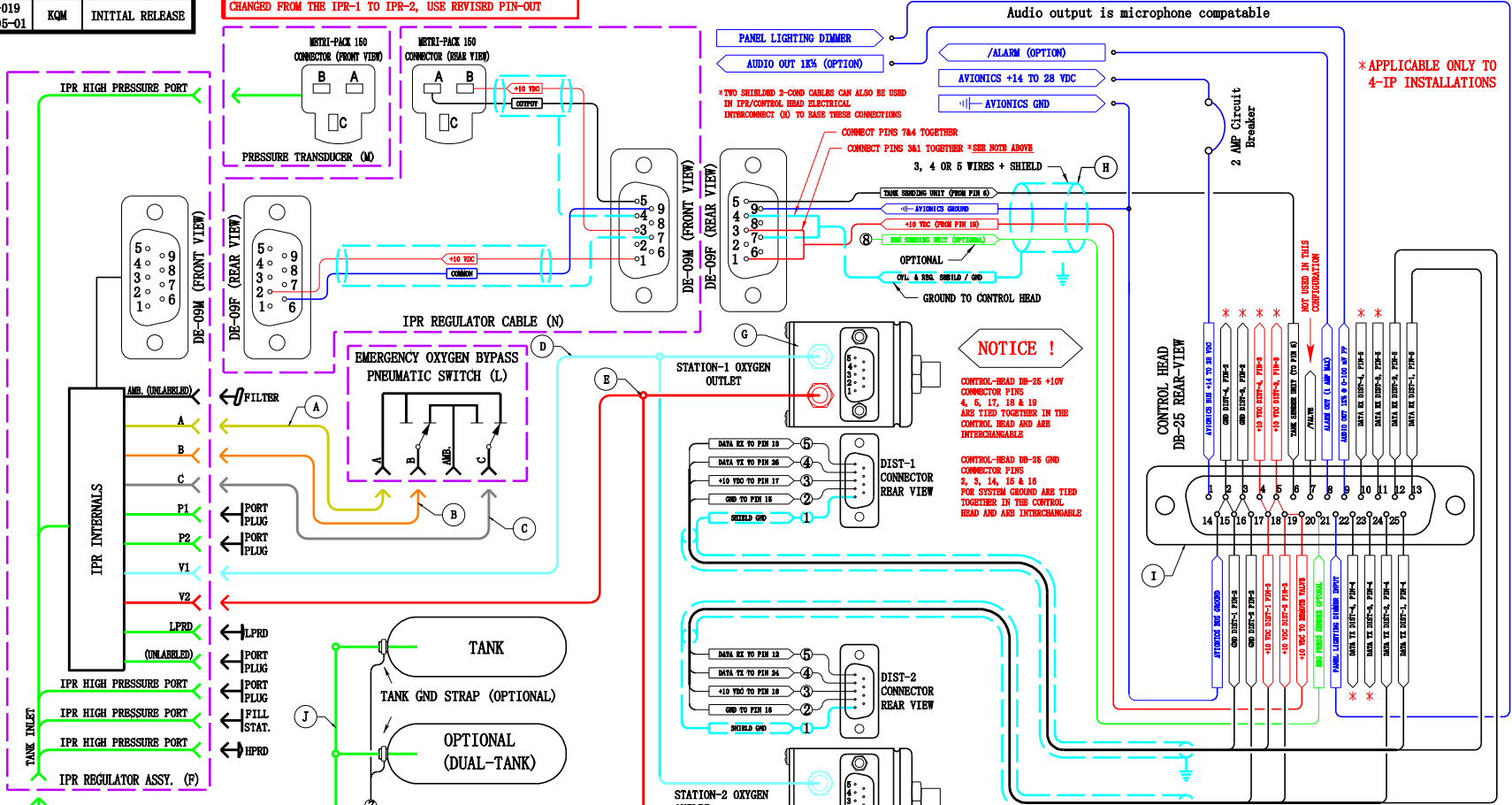


REVISION HISTORY			
REV	ECO NO.	NAME	NOTES
-	2024-019	KQM	INITIAL RELEASE
-	2024-05-01		

NOTICE !
 IPR TO CONTROL HEAD ELECTRICAL INTERCONNECT PIN-OUT HAS CHANGED FROM THE IPR-1 TO IPR-2, USE REVISED PIN-OUT



- A 1/8" OD. EMERGENCY bypass pressure feed. 1 BAR (15 PSIG) (YELLOW)
 - B 1/8" OD. EMERGENCY bypass pressure open. 1 BAR (15 PSIG) (ORANGE)
 - C 1/8" OD. EMERGENCY bypass pressure close. 1 BAR (15 PSIG) (GREY)
 - D SWITCHED: 6.0 mm. OD. MAIN REG. 1 BAR (15 PSIG) (BLUE)
 - E SWITCHED: 4.0 mm. OD. BYPASS REG. 1 BAR (15 PSIG) (RED)
 - F IPR REGULATOR ASSY.
 - G OXYGEN OUTLET STATIONS (DISTRIBUTOR UNITS)
 - H IPR TO CONTROL HEAD ELECTRICAL INTERCONNECT
 - I CONTROL HEAD UNIT (2IP SHOWN)
 - J 3/16" OD. COPPER, ALUM. OR STAINLESS TUBING IF REMOTE
 - K 1/8" OD. COPPER, ALUM. OR STAINLESS TUBING
 - L EMERGENCY OXYGEN BYPASS PNEUMATIC SWITCH
 - M PRESSURE TRANSDUCER
 - N REGULATOR CABLE
 - O DISTRIBUTOR TO CONTROL HEAD ELECTRICAL INTERCONNECT
 - P OXYGEN FILL STATION W/ GAUGE
- Item Callouts Note: see sheet 2 for additional items

DE-09 PIN ASSIGNMENTS IPR D-COIN		DE-09 PIN ASSIGNMENTS IPR REGULATOR CABLE CUSTOMER END D-COIN		DE-09 PIN ASSIGNMENTS DISTRIBUTOR UNITS D-CONNECTORS	
1	N/C	1	+10 VDC FROM CONTROL HEAD (PIN19)	1	DIST - SHIELD GND
2	+10 VDC FROM CONTROL HEAD	2	N/C	2	DIST POWER GND
3	N/C	3	+10 VDC FROM CONTROL HEAD (PIN19)	3	+10 VDC FROM CONTROL HEAD
4	N/C	4	PRESSURE SENDING UNIT SHIELD GROUND	4	DIST TX
5	N/C	5	PRESSURE (TANK) SENDING UNIT OUTPUT	5	DIST RX
6	N/C	6	N/C	6	N/C
7	AVIONICS GROUND (COMMON)	7	CTL & IPR REGULATOR CABLE SHIELD GROUND	7	N/C
8	N/C	8	N/C	8	N/C
9	N/C	9	AVIONICS GROUND (COMMON)	9	N/C

UNLESS OTHERWISE SPECIFIED, DIMENSIONS ARE IN INCHES.
 DIMENSIONS IN [] ARE MILLIMETERS (REF)
 TOLERANCES ARE:
 0.X ±0.015 ANGLES ±3°
 0.XX ±0.010 FRACTIONS ±1/64
 0.XXX ±0.005

INTERPRET GD&T PER ASME 14.5

THIRD ANGLE PROJECTION

DO NOT SCALE DRAWING

DRAWN KQM 2024-05-02

CHECKED EAM 2024-05-06

ENGINEER PLM 2024-05-08

APPROVED HBS 2024-00-08

MH MOUNTAIN HIGH E&S CO.
 REDMOND, OR. USA

THIS DOCUMENT AND ALL TECHNICAL DATA HEREON DISCLOSED ARE PROPERTY OF MOUNTAIN HIGH E&S CO. AND SHALL NOT BE USED, RELEASED OR DISCLOSED IN WHOLE OR PART WITHOUT WRITTEN PERMISSION FROM MOUNTAIN HIGH E&S CO. THIS DOCUMENT MUST BE RETURNED TO MOUNTAIN HIGH E&S CO. IMMEDIATELY UPON REQUEST.

DWG TITLE EDS 2IP & 4IP ELECTRICAL-PNEUMATIC IPR-2D SYSTEM SCHEMATIC

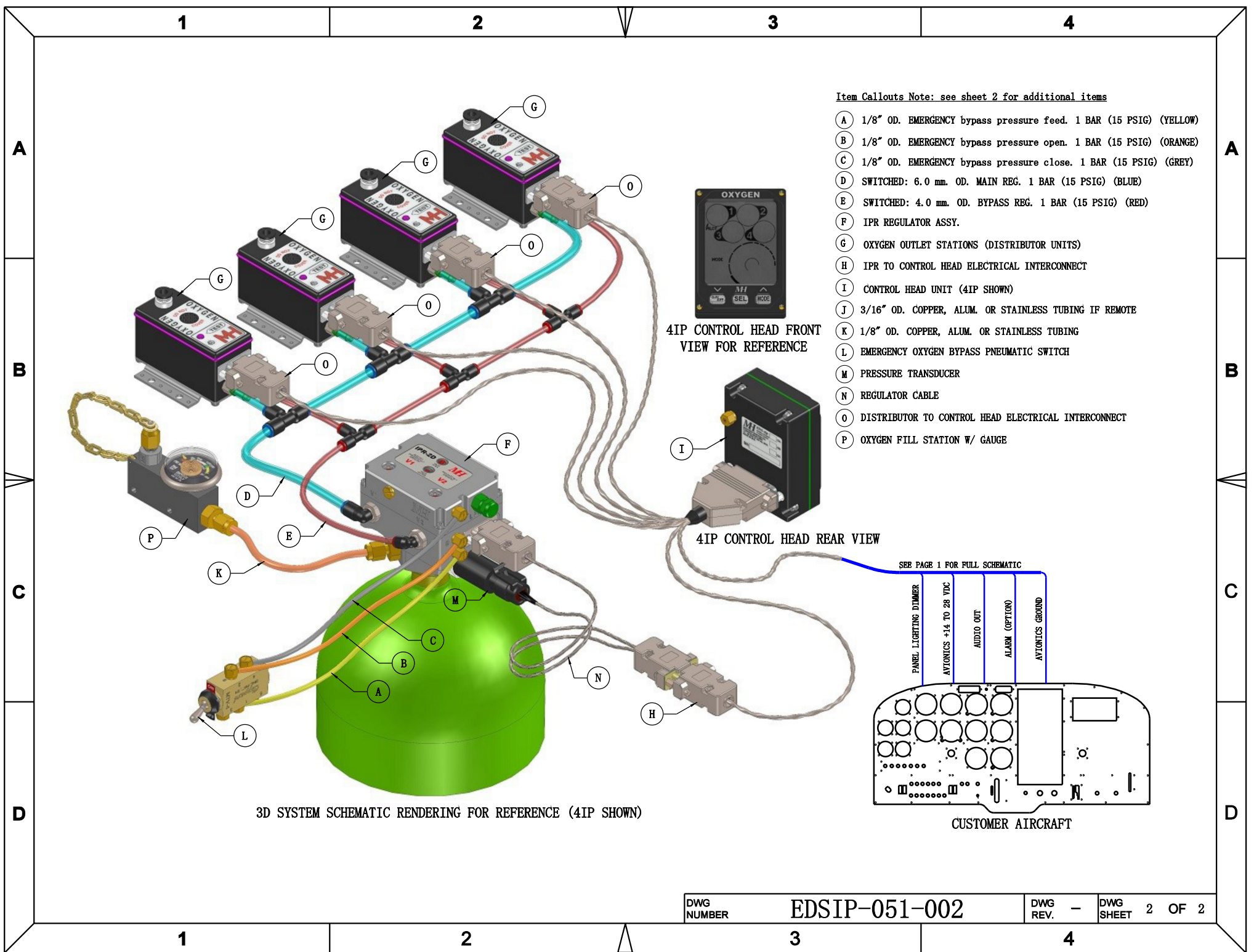
DWG NUMBER EDSIP-051-002

DWG REV. -

SRCFILE EDSIP-051-002&0034 INV. PART NUMBER 5IEDS-0051-02

DWG FORMAT: ESR-002 Rev H [27] DWG SCALE 1:1 DWG SHEET 1 OF 2 DWG SIZE A 11x8 1/2

2ip & 4IP



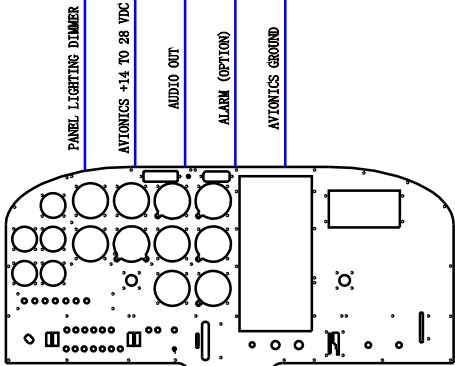
Item Callouts Note: see sheet 2 for additional items

- (A) 1/8" OD. EMERGENCY bypass pressure feed. 1 BAR (15 PSIG) (YELLOW)
- (B) 1/8" OD. EMERGENCY bypass pressure open. 1 BAR (15 PSIG) (ORANGE)
- (C) 1/8" OD. EMERGENCY bypass pressure close. 1 BAR (15 PSIG) (GREY)
- (D) SWITCHED: 6.0 mm. OD. MAIN REG. 1 BAR (15 PSIG) (BLUE)
- (E) SWITCHED: 4.0 mm. OD. BYPASS REG. 1 BAR (15 PSIG) (RED)
- (F) IPR REGULATOR ASSY.
- (G) OXYGEN OUTLET STATIONS (DISTRIBUTOR UNITS)
- (H) IPR TO CONTROL HEAD ELECTRICAL INTERCONNECT
- (I) CONTROL HEAD UNIT (4IP SHOWN)
- (J) 3/16" OD. COPPER, ALUM. OR STAINLESS TUBING IF REMOTE
- (K) 1/8" OD. COPPER, ALUM. OR STAINLESS TUBING
- (L) EMERGENCY OXYGEN BYPASS PNEUMATIC SWITCH
- (M) PRESSURE TRANSDUCER
- (N) REGULATOR CABLE
- (O) DISTRIBUTOR TO CONTROL HEAD ELECTRICAL INTERCONNECT
- (P) OXYGEN FILL STATION W/ GAUGE

4IP CONTROL HEAD FRONT VIEW FOR REFERENCE

4IP CONTROL HEAD REAR VIEW

SEE PAGE 1 FOR FULL SCHEMATIC



3D SYSTEM SCHEMATIC RENDERING FOR REFERENCE (4IP SHOWN)

CUSTOMER AIRCRAFT