

1

2

3

4

A

B

C

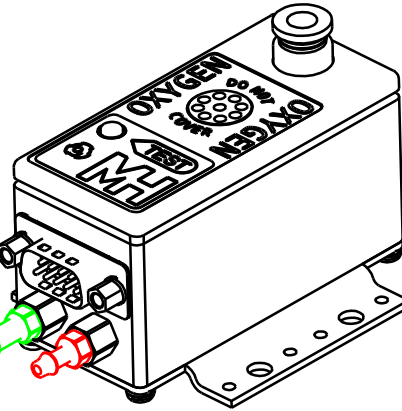
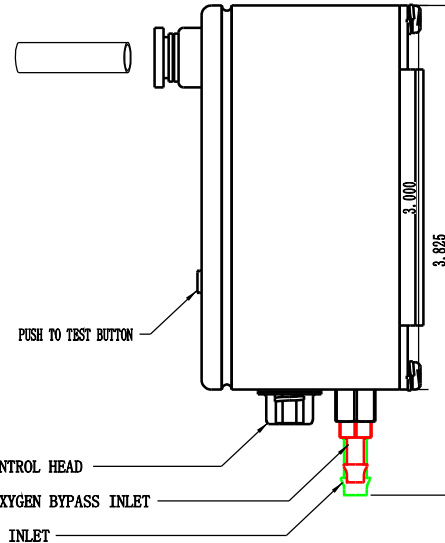
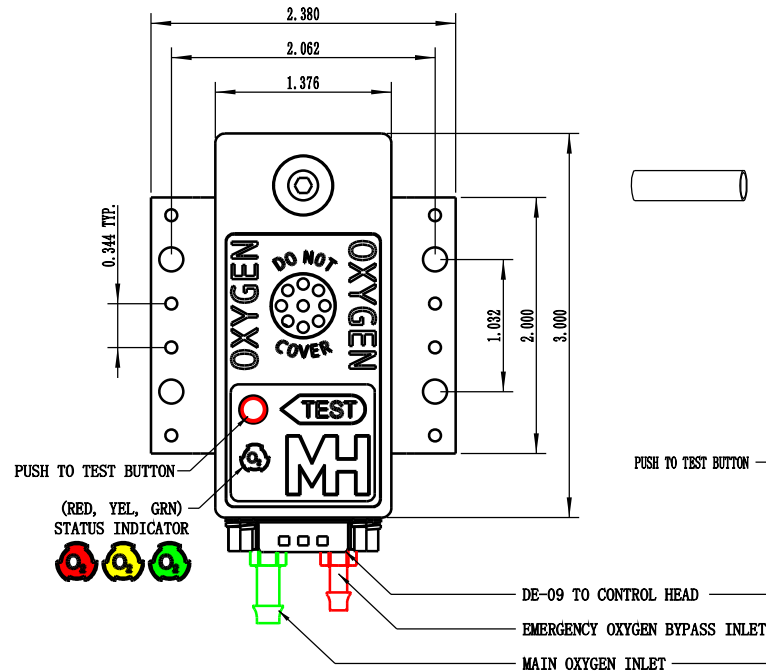
D

A

B

C

D



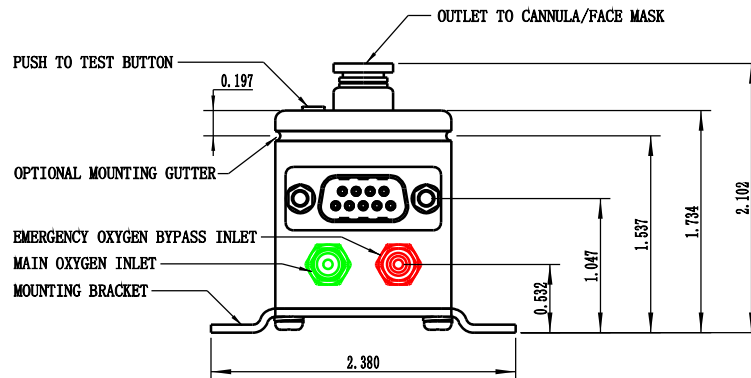
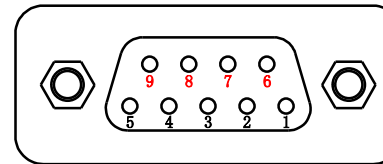
3D VIEW

REVISION HISTORY

REV	ECO NO. YYYY-MM-DD	NAME	NOTES
-	N/A 2005-19-04	PLM	INITIAL RELEASE
A	N/A 2010-10-10	PLM	CORRECTED SMALL TEXT ERRORS
B	2024-030 2024-06-28	KQM	COMPLETE RE-WORK WITH NEW DISTRIBUTOR

PIN	PIN FUNCTION
1	SHIELD/CASE GROUND
2	GROUND POWER AND SIGNAL RETURN TO CONTROL HEAD
3	+10 VDC POWER SUPPLY INPUT FROM CONTROL HEAD
4	DATA INPUT: Rx FROM CONTROL HEAD (IP-232 DC LEVELS)
5	DATA OUTPUT: Tx TO CONTROL HEAD (IP-232 DC LEVELS)
6	
7	
8	
9	

DIAGNOSTIC PIN CONNECTIONS, DO NOT USE



UNLESS OTHERWISE SPECIFIED,
DIMENSIONS ARE IN INCHES.
DIMENSIONS IN [] ARE MILLIMETERS (REF)

TOLERANCES ARE:
0.X ±0.015 ANGLES ±3°
0.XX ±0.010 FRACTIONS ±1/64
0.XXX ±0.005

INTERPRET GD&T PER ASME 14.5

MOUNTAIN HIGH E&S CO.
REDMOND, OR. USA

THIS DOCUMENT AND ALL TECHNICAL DATA HEREON DISCLOSED ARE PROPERTY OF MOUNTAIN HIGH E&S CO. AND SHALL NOT BE USED, RELEASED OR DISCLOSED IN WHOLE OR PART WITHOUT WRITTEN PERMISSION FROM MOUNTAIN HIGH E&S CO. THIS DOCUMENT MUST BE RETURNED TO MOUNTAIN HIGH E&S CO. IMMEDIATELY UPON REQUEST.

EDS-IP Distributor Unit
Form Factor Detail

THIRD ANGLE PROJECTION	DRAWN 2024-06-28	KQM	DOC TITLE	EDS-IP Distributor Unit Form Factor Detail	
	CHECKED 2024-06-28	EAM	DOC NUMBER	EDSIP-051-004	
	ENGINEER 2024-06-28	JB	SRCFILE	EDSIP-051-004\$B	INV. PART NUMBER
	APPROVED 2024-07-01	HBS	DWG FORMAT:	ESR-002 Rev H [27]	DWG SCALE
DO NOT SCALE DRAWING			DWG SCALE	1:1.5	DWG SHEET
			DWG SHEET	1 OF 1	DWG SIZE
			DWG SIZE	11x8 1/2	