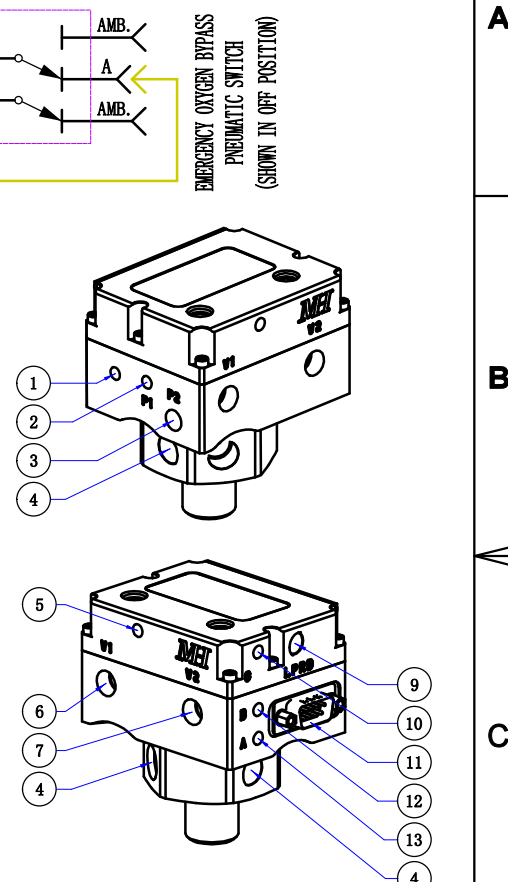
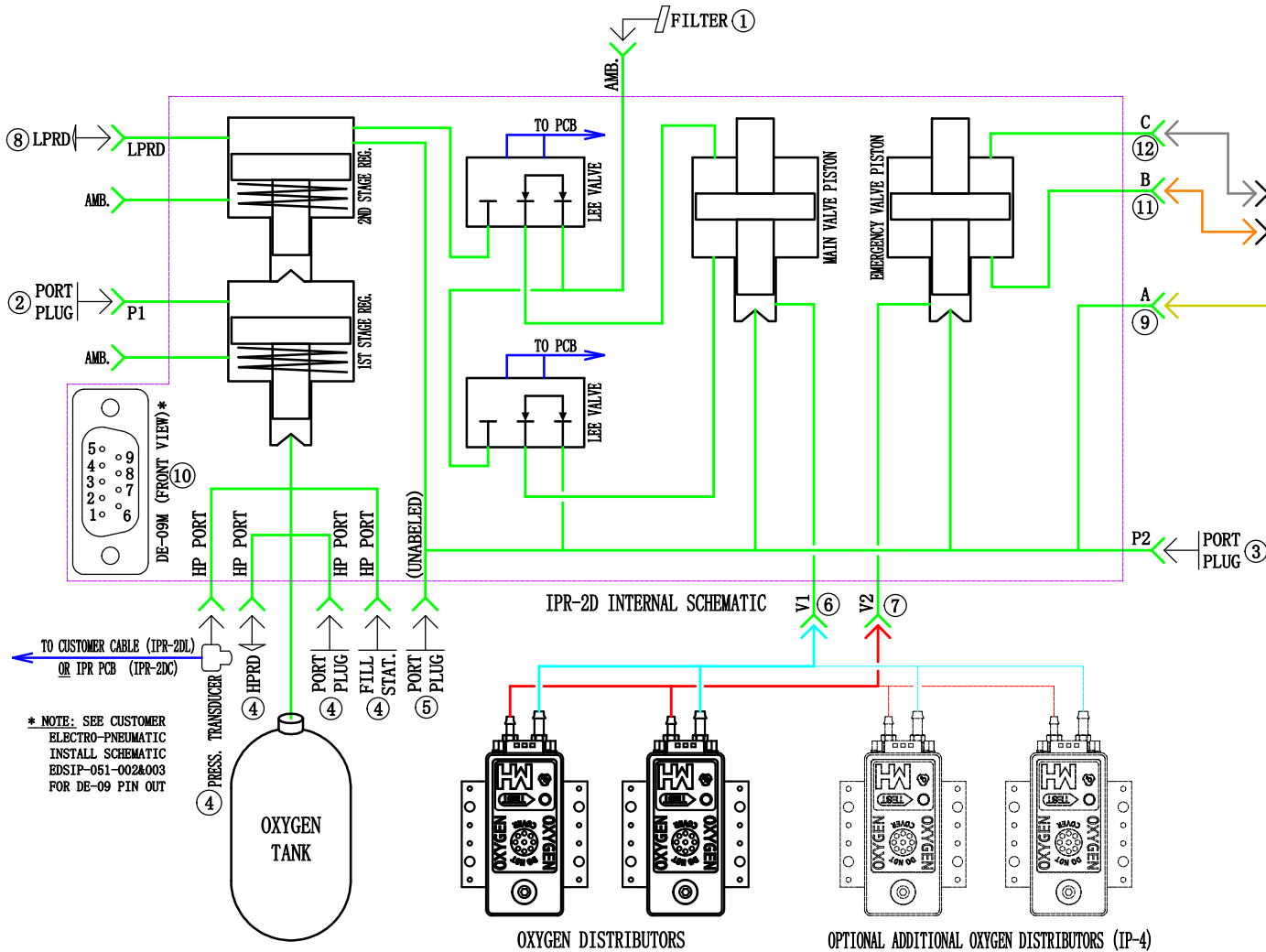


REVISION HISTORY			
REV	ECO NO. YYYY-MM-DD	NAME	NOTES
-	2024-TBD 2024-06-26	KQM	INITIAL RELEASE



* NOTE: SEE CUSTOMER ELECTRO-PNEUMATIC INSTALL SCHEMATIC EDSIP-051-002&003 FOR DE-09 PIN OUT

IPR-2D PORTS & CONNECTIONS			
REF	DESCRIPTION	REF	DESCRIPTION
1	UNLABELED AMBIENT PORT (FILTER)	7	"V2" PORT (4mm ONE-TOUCH ELBOW FITTING)
2	"P1" PORT (PORT PLUG)	8	"LPRD" PORT (LPRD)
3	"P2" PORT (PORT PLUG)	9	"A" PORT (BANJO FITTING, ORIFICED)
4	HIGH PRESSURE PORT (SEE HP PORT OPTIONS)	10	DE-09 CONNECTOR
5	UNLABELED MACHINING PORT (PORT PLUG)	11	"B" PORT (BANJO FITTING)
6	"V1" PORT (6mm ONE-TOUCH ELBOW FITTING)	12	"C" PORT (BANJO FITTING)

HIGH PRESSURE PORT OPTIONS		FITTING	PORT
REF	DESCRIPTION		
4	HIGH PRESSURE PORT (SEE HP PORT OPTIONS)	PRESSURE TRANSDUCER	ANY
5	UNLABELED MACHINING PORT (PORT PLUG)	FILL STATION	
6	"V1" PORT (6mm ONE-TOUCH ELBOW FITTING)	HPRD AND SAE-4 PORT ADAPTER	
7	"V2" PORT (4mm ONE-TOUCH ELBOW FITTING)	PORT PLUG OR OR CUSTOMER SPECIFIED PERHIPHERAL	

THIRD ANGLE PROJECTION

DO NOT SCALE DRAWING

DRAWN KQM 2024-06-26

CHECKED EAM 2024-07-01

ENGINEER PLM 2024-07-01

APPROVED HBS 2024-07-01

MH MOUNTAIN HIGH E&S CO. REDMOND, OR. USA

THIS DOCUMENT AND ALL TECHNICAL DATA HEREON DISCLOSED ARE PROPERTY OF MOUNTAIN HIGH E&S CO. AND SHALL NOT BE USED, RELEASED OR DISCLOSED IN WHOLE OR PART WITHOUT WRITTEN PERMISSION FROM MOUNTAIN HIGH E&S CO. THIS DOCUMENT MUST BE RETURNED TO MOUNTAIN HIGH E&S CO. IMMEDIATELY UPON REQUEST.

DOC TITLE IPR-2D INTERNAL SCHEMATIC

DOC NUMBER EDSIP-051-007 DWG REV. -

INV. PART NUMBER N/A MODEL: IPR-2D

DWG FORMAT: ESR-002 Rev H [27] DWG SCALE NTS DWG SHEET 1 OF 1 DWG SIZE A 11x8 1/2