

1

2

3

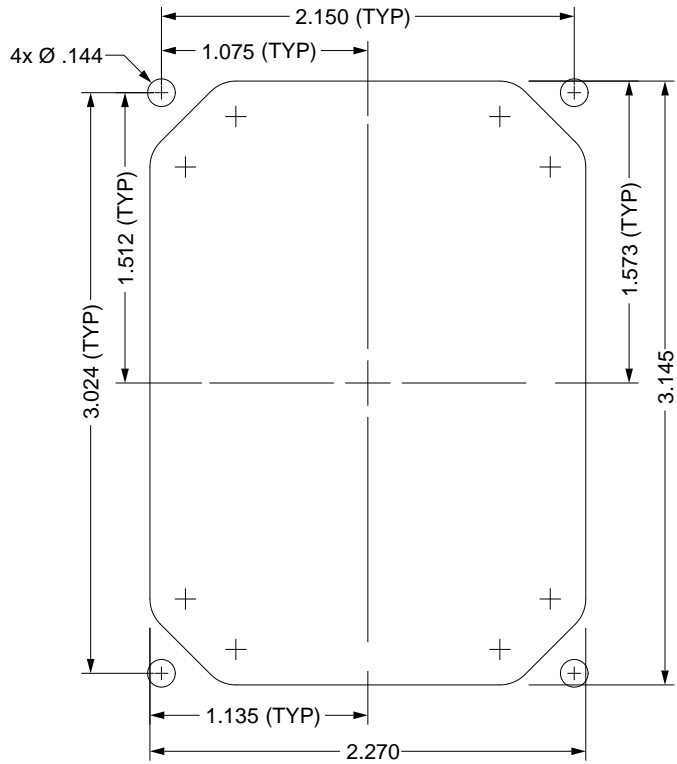
4

REVISION HISTORY

REV	ECO NO. YYYY-MM-DD	NAME	NOTES
-0	2018-032 2018-10-11	SGO	Initial Release - Customer Drawing for EDS-ip panel cutouts

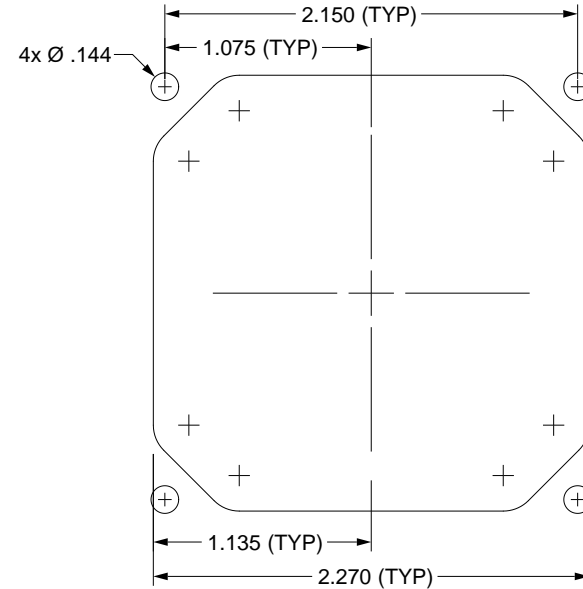
A

A



EDS 4-ip Panel Template

REFERENCE



EDS 2-ip Panel Template

10" [254]

Notes

These templates are provided as an aid in creating the required panel-cutouts for mounting the EDS-2ip or EDS-4ip Control Head assemblies. Check the 10 inch [254 mm] REFERENCE dimension to verify that the template is printed at the correct scale. Ø.144 corresponds to the "close fit" dimension for a #6 fastener, but the Ø.1495 "free fit" dimension may also be used if preferred.

This geometry is also available as a .dxf file upon request. Contact MH Customer Service.

UNLESS OTHERWISE SPECIFIED, DIMENSIONS ARE IN INCHES. TOLERANCES ARE:

0.X ±0.015 ANGLES ±3°
 0.XX ±0.010 FRACTIONS ±1/64
 0.XXX ±0.005

INTERPRET GD&T PER ASME 14.5

THIRD ANGLE PROJECTION	DRAWN	SGO
	CHECKED	SB
	ENGINEER	TD
	APPROVED	HBS
DO NOT SCALE DRAWING		2018-10-11



MOUNTAIN HIGH E&S CO.
REDMOND, OR. USA

THIS DOCUMENT AND ALL TECHNICAL DATA HEREON DISCLOSED ARE PROPERTY OF MOUNTAIN HIGH E&S CO. AND SHALL NOT BE USED, RELEASED OR DISCLOSED IN WHOLE OR PART WITHOUT WRITTEN PERMISSION FROM MOUNTAIN HIGH E&S CO. THIS DOCUMENT MUST BE RETURNED TO MOUNTAIN HIGH E&S CO. IMMEDIATELY UPON REQUEST.

EDS-ip Control-Head Mounting Templates [SCD]			
DWG TITLE	5TEMP-0001-00		DWG REV. -0
DWG NUMBER	CAD FILE	INV. PART NUMBER	PROD. NAME
	5TEMP-0001-00S-0	5TEMP-0001-02 5TEMP-0001-04	
DWG FORMAT: ESR-002 Rev H [20]	DWG SCALE	DWG SHEET	DWG SIZE
	1:1	1 OF 1	A 11x8½

D

D

1

2

3

4