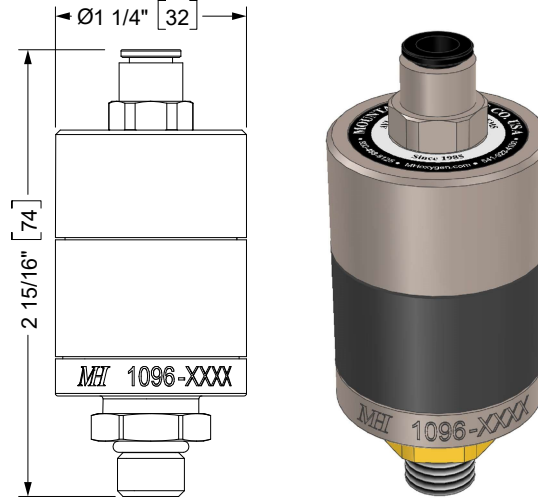
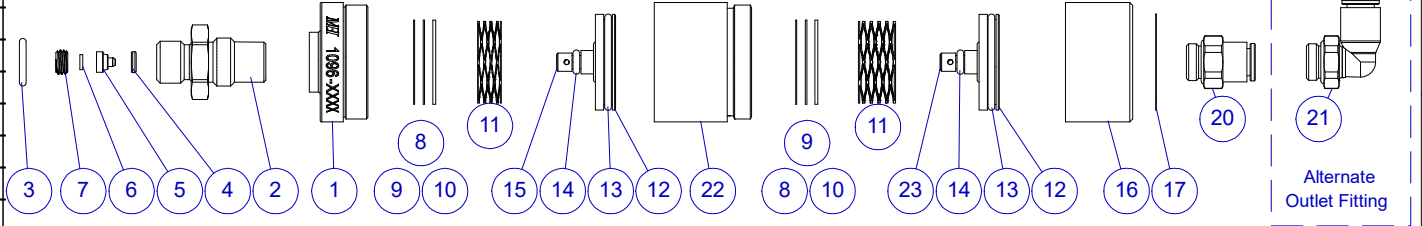


REV	ECO	Release	Drawn	REVISION HISTORY
-3	2019-008	2019-02-14	SGO	Customer Drawing
-4	2024-026	6/13/2024	KQM	Customer Drawing

REF	1096-	1096	Description
1	1	1	Inlet Body
2	1	1	Inlet/Guide
3	1	1	O-Ring (SAE-4)
4	1	1	O-Ring
5	1	1	Inlet Seat
6	1	1	Filter Disc
7	1	1	Setscrew
8	A/R	A/R	Shim, .010
9	A/R	A/R	Shim, .016
10	A/R	A/R	Shim, .030
11	1	1	Spring
12	2	2	Piston
13	2	2	O-Ring
14	2	2	O-Ring
15	1	1	Puck (HP)
16	1	1	Outlet Body, Axial
17	1	1	Label
18	1		Outlet Fitting, 4mm tube, Straight
19	1		Outlet Fitting, 4mm tube, 90° Elbow
20		1	Outlet Fitting, 6mm tube, Straight
21		1	Outlet Fitting, 6mm tube, 90° Elbow
22	1	1	Center Body, 2-Stage Reg
23	1	1	Puck (LP)



GENERAL SPECIFICATIONS

Material: UNS C36000 (CDA-360) Brass
 UNS A96061 (6061-T6) Aluminum

Inlet Pressure Rating: 3000 PSI MAX
 Regulated Outlet: 16 ± 2 PSI (Dynamic) (NOM 1 Bar)
 20 ± 2 PSI (Static)

Average Flow Rate: 40 L/min (AVG)
 Temperature Range: -50°F to +130°F [-45°C to +55°C]

Inlet Fitting: SAE-4M
 Replacement O-ring: MH p/n 09001-1904-70 (SAE-4, Item #4)

Outlet Fitting	Weight
1096-04: G-1/8 BSPP x 4mm Tube	3.1 oz [88 g]
1096-06: G-1/8 BSPP x 6mm Tube	3.1 oz [88 g]

UNLESS OTHERWISE SPECIFIED, DIMENSIONS ARE IN INCHES. TOLERANCES ARE:
 0.X ±0.015 ANGLES ± 3°
 0.XX ±0.010 FRACTIONS ± 1/64
 0.XXX ±0.005
 INTERPRET GD&T PER ASME 14.5 63

MH MOUNTAIN HIGH E&S CO.
REDMOND, OR. USA

THIS DOCUMENT AND ALL TECHNICAL DATA HEREON DISCLOSED ARE PROPERTY OF MOUNTAIN HIGH E&S CO. AND SHALL NOT BE USED, RELEASED OR DISCLOSED IN WHOLE OR PART WITHOUT WRITTEN PERMISSION FROM MOUNTAIN HIGH E&S CO. THIS DOCUMENT MUST BE RETURNED TO MOUNTAIN HIGH E&S CO. IMMEDIATELY UPON REQUEST.

THIRD ANGLE PROJECTION	DRAWN SGO 2018-08-09	DWG TITLE Regulator, 2-Stage Axial, No Gauge, SAE-4M x Tube Outlet [SCD]	
	CHECKED	DWG NUMBER 5SREG-1096-0x	DWG REV. -4
DO NOT SCALE DRAWING	ENGINEER	CAD FILE 00REG-1092\1096-xx\$-4	INV. PART NUMBER 00REG-1096-04 00REG-1096-06
	APPROVED	DWG FORMAT: ESR-002 Rev H [20]	MODEL #: 00REG-320-204 00REG-320-205
		DWG SCALE	DWG SHEET 1 OF 1 DWG SIZE A 11x8 1/2