

GENERAL SPECIFICATIONS

Material: UNS C36000 (CDA-360) Brass
 UNS A96061 (6061-T6) Aluminum

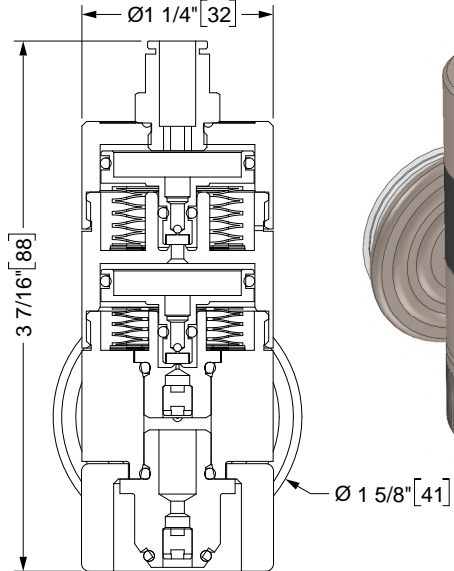
Inlet Pressure Rating: 3000 PSI MAX
 Regulated Outlet: 16 ± 2 PSI (Dynamic) (NOM 1 Bar)
 20 ± 2 PSI (Static)

Average Flow Rate: 40 L/min (AVG)
 Temperature Range: -50°F to +130°F [-45°C to +55°C]

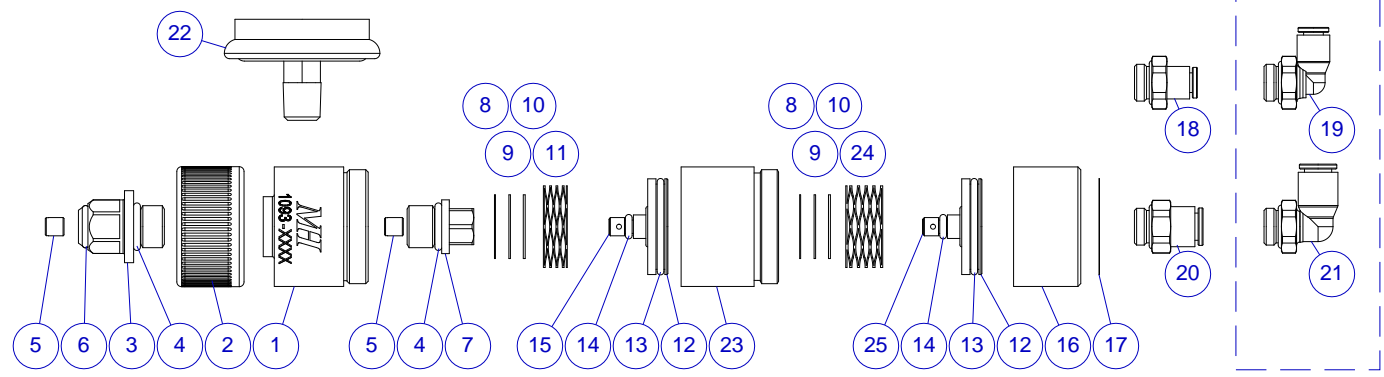
Inlet Fitting: CGA-540N
 Spare O-ring: MH p/n 09001-0011-90 (CGA-540, Item #6)

1093-04: Outlet Fitting Weight
 G-1/8 BSPP x 4mm Tube 5.8 oz [165 g]
1093-06: G-1/8 BSPP x 6mm Tube 5.8 oz [165 g]

REV	ECO	Release	Drawn	REVISION HISTORY
-0	2018-040	2018-12-06	SGO	Product Insert Drawing



REF	Qty	Description
1	1	Inlet Body, Gauge
2	1	Grip-Nut, CGA-540
3	1	Inlet Nipple, CGA-540N
4	2	O-Ring
5	2	Filter
6	2	O-Ring
7	1	Inlet Seat
8	A/R	Shim, .010
9	A/R	Shim, .016
10	A/R	Shim, .020
11	1	Spring
12	2	Piston
13	2	O-Ring
14	2	O-Ring
15	1	Puck
16	1	Outlet Body, Axial
17	1	Label
18	1	Outlet Fitting, 4mm tube, Straight
19	1	Outlet Fitting, 4mm tube, 90° Elbow
20	1	Outlet Fitting, 6mm tube, Straight
21	1	Outlet Fitting, 6mm tube, 90° Elbow
22	1	MH-300 Medium Pressure Gauge
23	1	Center Body, 2-Stage Reg
24	1	Spring
25	1	Puck



UNLESS OTHERWISE SPECIFIED, DIMENSIONS ARE IN INCHES. TOLERANCES ARE: 0.X ±0.015 0.XX ±0.010 0.XXX ±0.005		ANGLES ± 3° FRACTIONS ± 1/64			
INTERPRET GD&T PER ASME 14.5		THIS DOCUMENT AND ALL TECHNICAL DATA HEREON DISCLOSED ARE PROPERTY OF MOUNTAIN HIGH E&S CO. AND SHALL NOT BE USED, RELEASED OR DISCLOSED IN WHOLE OR PART WITHOUT WRITTEN PERMISSION FROM MOUNTAIN HIGH E&S CO. THIS DOCUMENT MUST BE RETURNED TO MOUNTAIN HIGH E&S CO. IMMEDIATELY UPON REQUEST.			
THIRD ANGLE PROJECTION		DRAWN SGO 2018-11-26		DWG TITLE Regulator Assy, 2-Stage Axial, w/ Gauge, CGA-540N [SCD]	
		CHECKED EAM 2018-12-04		DWG NUMBER 5SREG-1093-xx	
DO NOT SCALE DRAWING		ENGINEER TD 2018-12-06		DWG REV. -0	
APPROVED HBS 2018-12-06		CAD FILE 00REG-1093*1095-xx\$-0		INV. PART NUMBER 00REG-1093-04 PROD. NAME XCR-CGA-2SA-1P-G-4mm XCR-CGA-2SA-1P-G-6mm	
DWG FORMAT: ESR-002 Rev H [20]		DWG SCALE		DWG SHEET 1 OF 1 DWG SIZE A 11x8 1/2	