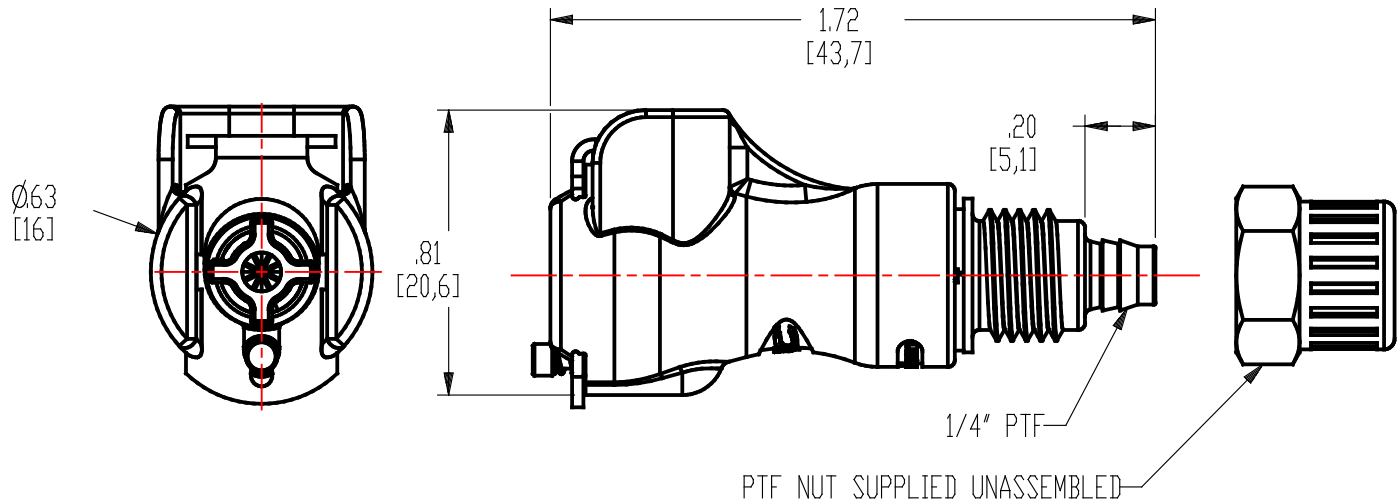


**Technical details:**



**Description:** 1/4" PTF Valved In-Line Coupling Body

**Materials:**

**Main Components:** Natural white Acetal

**Seals:** BUNA-N

**Thumb Latch:** Stainless Steel

**Valve:** Natural white Acetal

**Valve Spring:** Stainless Steel

**External Spring:** Stainless Steel

**Others:** Barrel Nickel Plated Brass PTF nut

**Standard Packaging Quantity:** 25