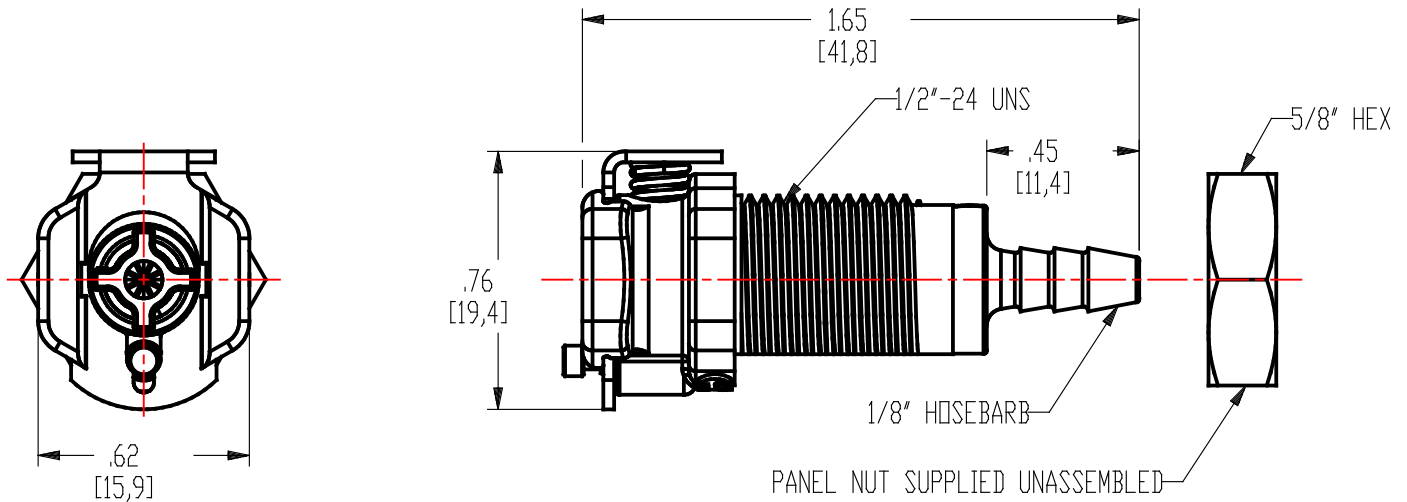


Technical details:



Description: 1/8" Hose Barb Valved Panel Mount Coupling Body

Materials:

Main Components: Natural white Acetal

Seals: BUNA-N

Thumb Latch: Stainless Steel

Valve: Natural white Acetal

Valve Spring: Stainless Steel

External Spring: Stainless Steel

Others: Barrel Nickel Plated Brass Panel nut

Standard Packaging Quantity: 25