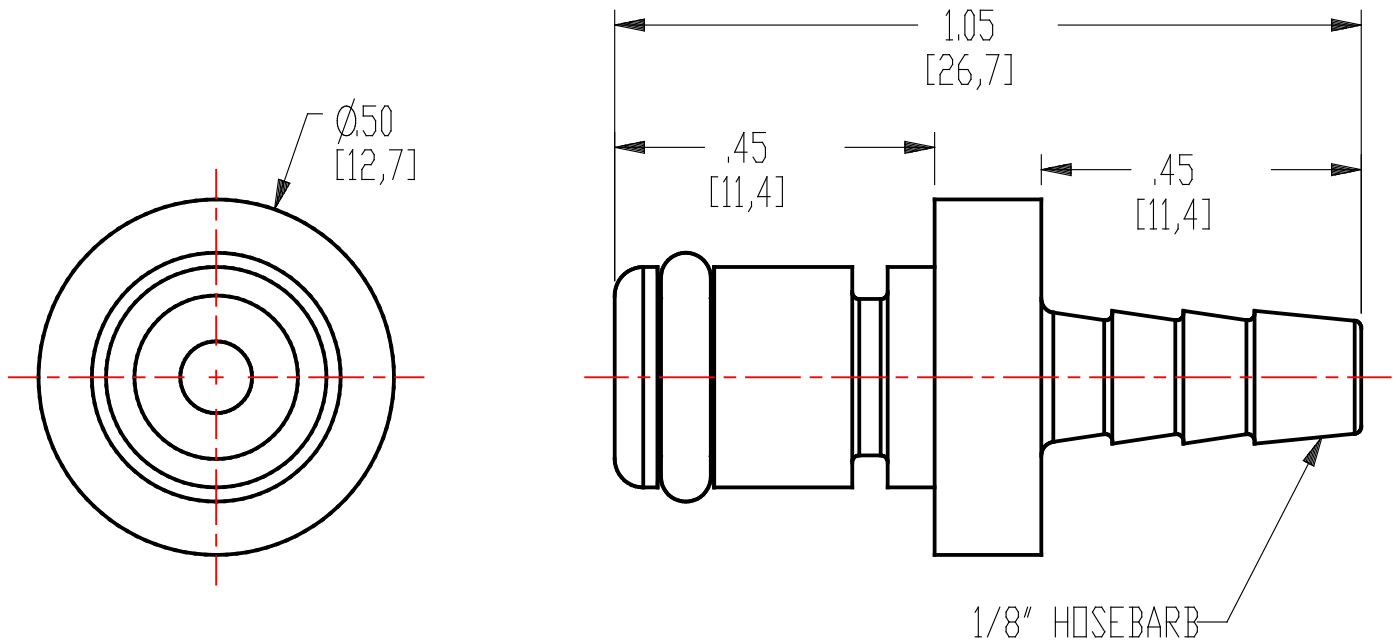


Technical details:



Description: 1/8" Hose Barb Non-Valved In-Line Coupling Insert

Materials:

Main Components: Chrome Plated Brass

Valve: N/A

Valve Spring: N/A

Seals: BUNA-N

Standard Packaging Quantity: 10