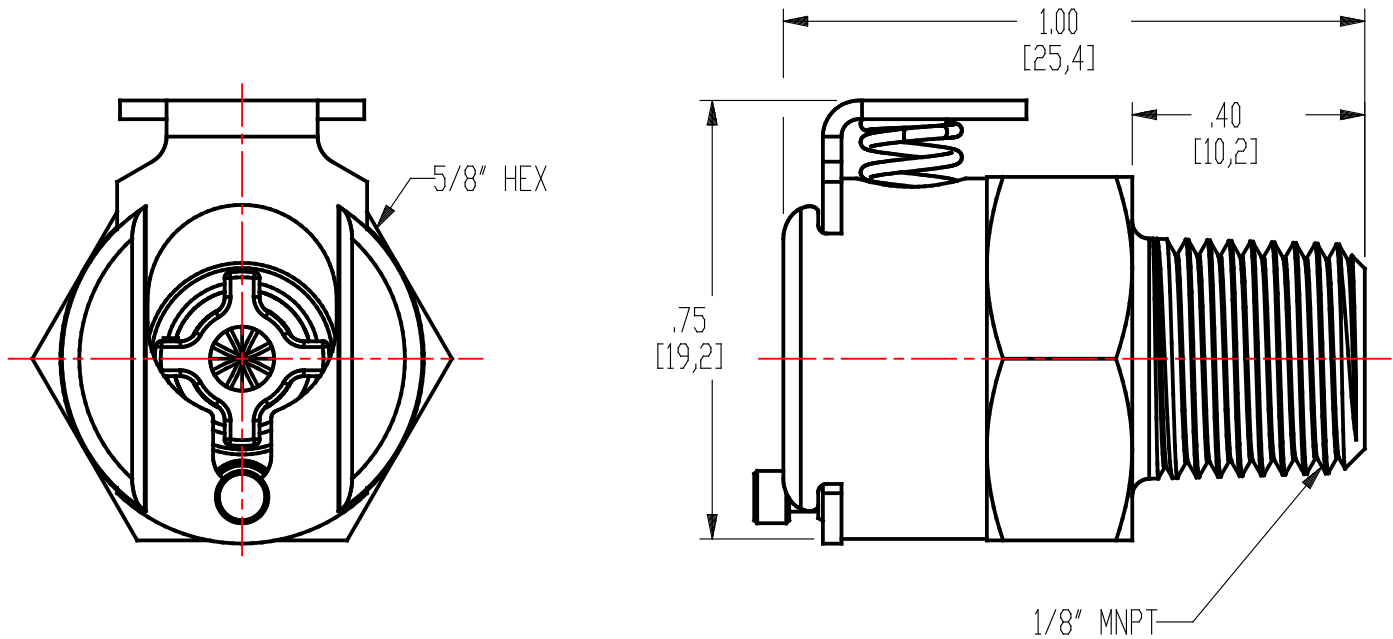


Technical details:



Description: 1/8" NPT Valved Coupling Body

Materials:

Main Components: Chrome Plated Brass

Valve: Natural Acetal

Thumb Latch: Stainless Steel

Valve Spring: Stainless Steel

External Spring: Stainless Steel

Seals: BUNA-N

Standard Packaging Quantity: 10