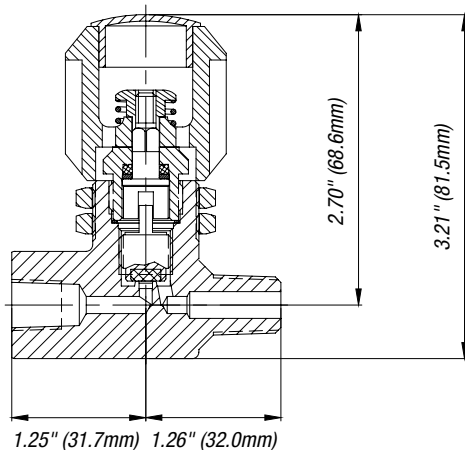


YVA Series High-Pressure Line Valves



Designed for Compressed Gas Storage & Cascade Fill Systems meeting the demands of SCUBA & SCBA professionals internationally. The most state-of-the-art and efficient valve in the industry.

Key Features & Benefits

- Strong, durable forged brass body manufactured by Sherwood to specifications stricter than most commercial forging specifications
- Compact design especially suited for use on compressor or cascade panels
- Chamber specially designed for low-torque operation
- Aluminum Silicon Bronze stem design for dependable service and long life
- Proprietary dual packing chamber design provides dependable seal characteristics, long service life and easy operation
- Durable lower plug made of tough naval brass to resist wear
- Lower plug is PTFE coated to add lubricity, which minimizes seizing and galling especially under high-pressure operation
- Internal protected bonnet gasket seal provides positive, damage-resistant chamber seal
- Compact molded Lexan® polycarbonate handwheel is easy to use
- Safe, dependable and easily rebuilt and maintained

Design Specifications

	English	Metric
Maximum Working Pressure	6000 PSI	414 Bar
Storage Temperature Range	-65° F → +155° F	-54° C → +68° C
Operating Temperature Range	-50° F → +120° F	-45° C → +49° C
Minimum Cycle Life	5000 Cycles	5000 Cycles
Operating Torque	10–15 in.-lbs.	1.1–2.2 N-m
Closing Torque	10–15 in.-lbs.	1.1–2.2 N-m
Bonnet Installation Torque	25–30 ft.-lbs.	2.8–3.4 N-m
Stem Nut Installation Torque	Nut Flush with Top of Stem	

For Product Markings Reference, see **F** on page 66.



SWD0215 ©2015 Sherwood Valve, LLC



www.sherwoodvalve.com • 888.508.2583

Specialty Applications

YVA Series

High-Pressure Line Valves

Materials of Construction	
Part Description	Materials of Construction
Body	Brass C37700 Chrome Plated
Bonnet	Brass, UNS ASTMB-16-53 Chrome Plated
Gasket	Copper
Handwheel	Lexan®
Handwheel Cap	Lexan®
Lower Plug	Aluminum Silicon Bronze C64200
Lower Plug Seat	Nylon: Zytel 101 or Celanese 1000-11
Packing (3506-18)	Viton®
Packing (3506-7)	PTFE
Panel Mount Nut (as required)	Brass C36000, Chrome Plated
Spring	Type 302 Stainless Steel, Passivated
Stem	Aluminum Silicon Bronze Alloy #708-8 Nickel Plated
Stem Nut	Brass C36000

Standards Conformance	
CGA V-9	Standard for Gas Cylinder Valves
A-A-59860	US General Services Administration Standards for Gas Cylinder Valves

Ordering Information					
Sherwood Part Number	Inlet Thread Size	Outlet Thread Size	Panel Mount	Panel Hole Size	Chrome Plated
YVA3010	¼"-18 NPT Int.	¼"-18 NGT Ext.	No	—	Yes
YVA3010A	¼"-18 NPT Int.	¼"-18 NGT Ext.	Yes	1½"	Yes
YVA3010AB*	¼"-18 NPT Int.	¼"-18 NGT Ext.	Yes	1½"	Yes

* Cleaned for Oxygen service