

p/n: 00GSE-1052-03

Transfill Adapter, 9/16-18 UNF Socket x AN800 Nipple, 3 in

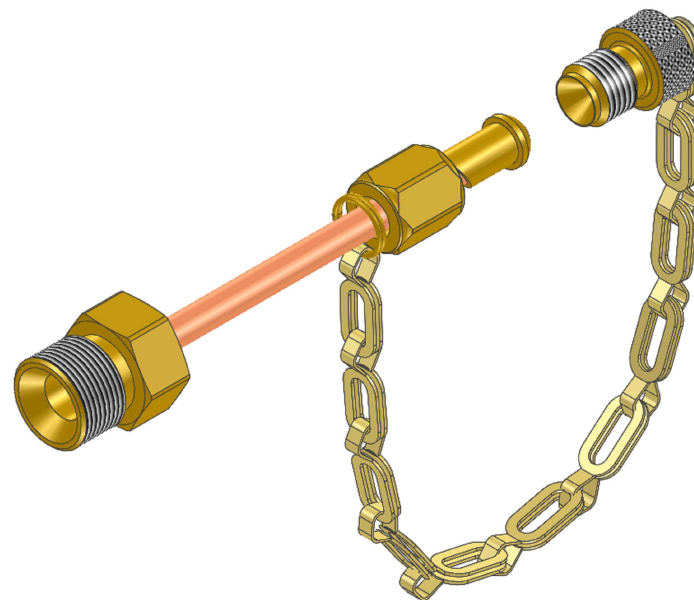
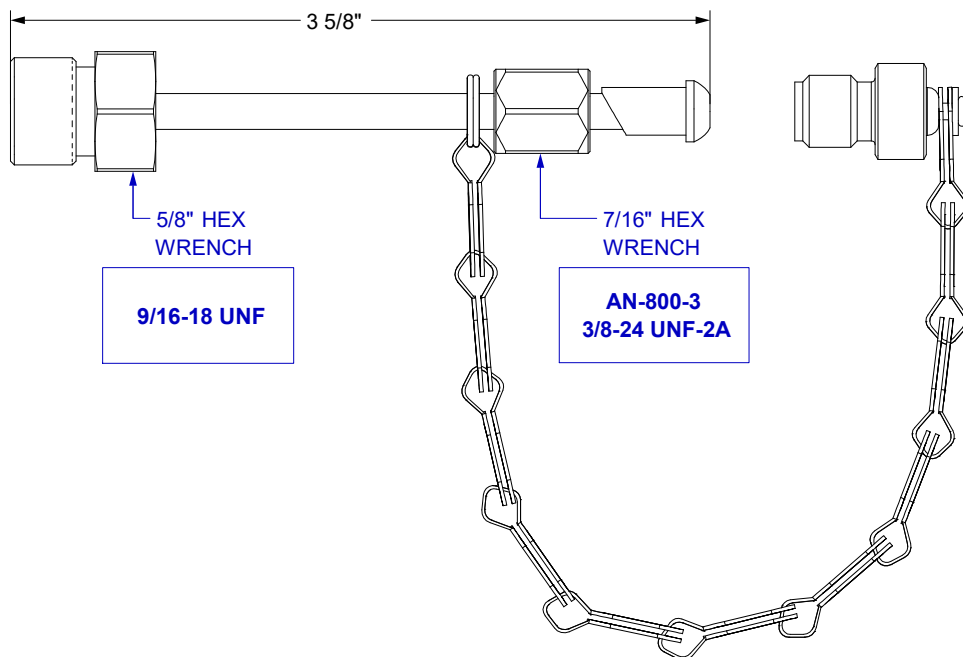
Date:

Cleaned for Oxygen Service per MH ESR-008



Aviation Oxygen Systems
MOUNTAIN HIGH
Equipment & Supply Company

REV	ECO	Release	Drawn	REVISION HISTORY
-1	2023-007	2023-03-03	JPA	INITIAL RELEASE



GENERAL SPECIFICATIONS

Material: UNS C36000 (CDA-360) Brass
UNS C12200 (ASTM-B75) Copper Tubing

Assembly: Silver-Brazed, #56 Alloy

Weight: 1.9 oz [54 g]

Operating Pressure: 3000 PSI
Temp Range: -50°F to +130°F [-45°C to +55°C]

Cleaned for Oxygen Service per MH ESR-008

UNLESS OTHERWISE SPECIFIED, DIMENSIONS ARE IN INCHES.
DIMENSIONS IN [] ARE MILLIMETERS (REF)
TOLERANCES ARE:
0.X ±0.015 ANGLES ±3°
0.XX ±0.010 FRACTIONS ±1/64
0.XXX ±0.005
INTERPRET GD&T PER ASME 14.5

MH MOUNTAIN HIGH E&S CO.
REDMOND, OR. USA

THIS DOCUMENT AND ALL TECHNICAL DATA HEREON DISCLOSED ARE PROPERTY OF MOUNTAIN HIGH E&S CO. AND SHALL NOT BE USED, RELEASED OR DISCLOSED IN WHOLE OR PART WITHOUT WRITTEN PERMISSION FROM MOUNTAIN HIGH E&S CO. THIS DOCUMENT MUST BE RETURNED TO MOUNTAIN HIGH E&S CO. IMMEDIATELY UPON REQUEST.

THIRD ANGLE PROJECTION	DRAWN JPA 2023-03-02	DWG TITLE Customer Drawing, Transfill Adapter, 9/16-18 UNF Socket x AN800 Nipple, 3 in [SCD]
	CHECKED EAM 2023-03-03	DWG NUMBER 5SGSE-052-103
DO NOT SCALE DRAWING	ENGINEER JB 2023-03-03	DWG REV. -1
	APPROVED HBS 2023-03-03	DWG FORMAT: ESR-002 Rev H [26]
		DWG SCALE
		DWG SHEET 1 OF 1
		DWG SIZE A 11x8 1/2

Insert #: 5IGSE-1052-03