

p/n: 00GSE-1035-00

Transfill Adapter Assy, DIN-477-9N x JIC-4M

Date:

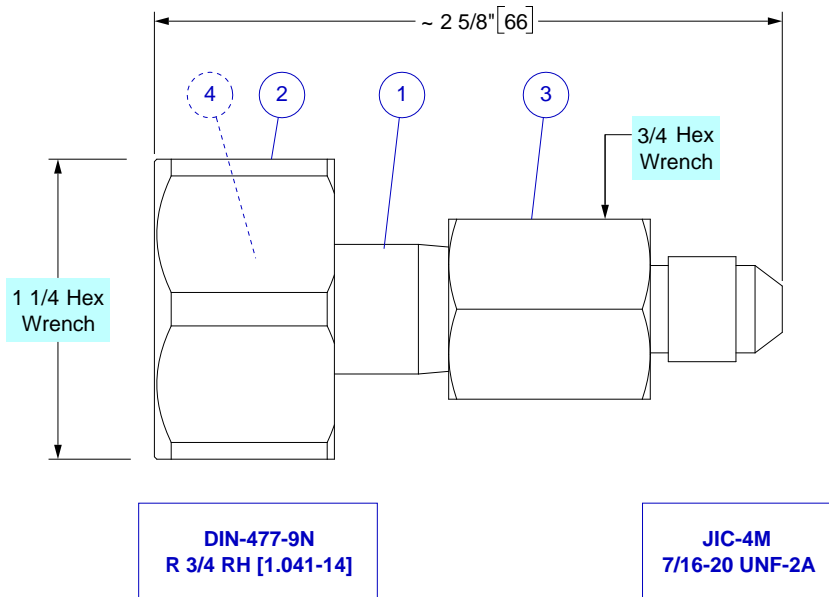
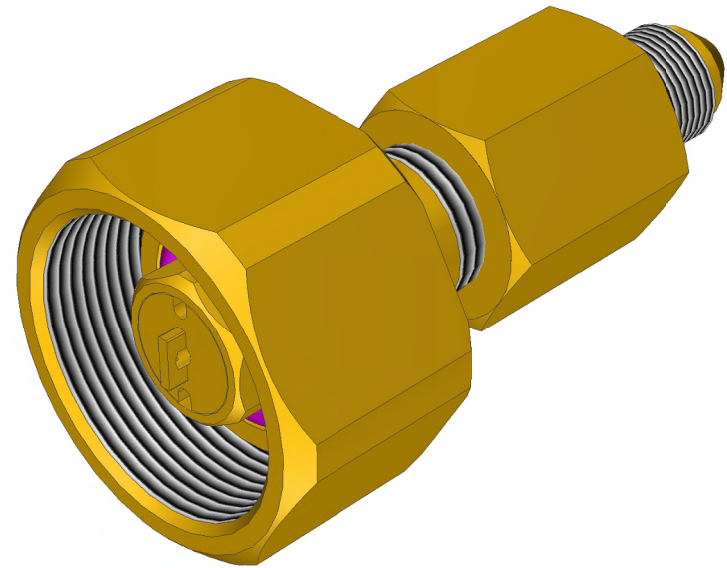
Cleaned for Oxygen Service per MH ESR-008

MH

Aviation Oxygen Systems

MOUNTAIN HIGH
Equipment & Supply Company

REV	ECO	Release	Drawn	REVISION HISTORY
-0	2019-055	2019-12-18	SGO	Customer Drawing



DIN-477-9N
R 3/4 RH [1.041-14]

JIC-4M
7/16-20 UNF-2A

Item #4 O-Ring
MH Replacement p/n:
09001-3113-70

GENERAL SPECIFICATIONS

Material: UNS C36000 (CDA-360) Brass
Weight: 5.8 oz [165 g]

Operating Pressure: 3000 PSI
Temp Range: -50°F to +130°F [-45°C to +55°C]

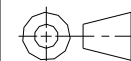
Cleaned for Oxygen Service per MH ESR-008

UNLESS OTHERWISE SPECIFIED, DIMENSIONS ARE IN INCHES. TOLERANCES ARE:
0.X ±0.015
0.XX ±0.010
0.XXX ±0.005

ANGLES ± 3°
FRACTIONS ± 1/64

INTERPRET GD&T PER ASME 14.5

THIRD ANGLE PROJECTION



DO NOT SCALE DRAWING

DRAWN SGO
2019-12-17

CHECKED EAM
2019-12-18

ENGINEER TD
2019-12-18

APPROVED HBS
2019-12-18

MH MOUNTAIN HIGH E&S CO.
REDMOND, OR. USA

THIS DOCUMENT AND ALL TECHNICAL DATA HEREON DISCLOSED ARE PROPERTY OF MOUNTAIN HIGH E&S CO. AND SHALL NOT BE USED, RELEASED OR DISCLOSED IN WHOLE OR PART WITHOUT WRITTEN PERMISSION FROM MOUNTAIN HIGH E&S CO. THIS DOCUMENT MUST BE RETURNED TO MOUNTAIN HIGH E&S CO. IMMEDIATELY UPON REQUEST.

DWG TITLE Customer Drawing, Transfill Adapter Assy,
DIN-477-9N x JIC-4M [SCD]

DWG NUMBER **5SGSE-1035-00** DWG REV. **-0**

CAD FILE 00GSE-1035-00\$-0 INV. PART NUMBER 00GSE-1035-00 PROD. NAME TA-DIN-JIC

DWG FORMAT: ESR-002 Rev H [20] DWG SCALE DWG SHEET 1 OF 1 DWG SIZE A 11x8 1/2

Ref	Qty	Description
1	1	DIN Nipple
2	1	DIN Nut
3	1	JIC Adapter
4	1	O-Ring

Insert #: 5IGSE-1035-00