

p/n: 00GSE-1049-00

Transfill Adapter, DIN-477-6N to CGA-540S

Date:

Cleaned for Oxygen Service per MH ESR-008

MH

Aviation Oxygen Systems
MOUNTAIN HIGH
Equipment & Supply Company

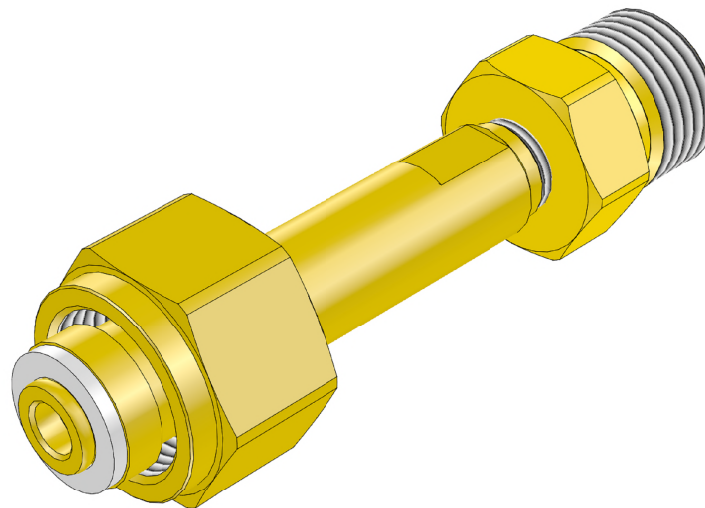
REV	ECO	Release	Drawn	REVISION HISTORY
-1	2020-027	2020-08-18	SGO	Customer Drawing

GENERAL SPECIFICATIONS

Material: UNS C36000 (CDA-360) Brass
Weight: 9.7 oz [275 g]

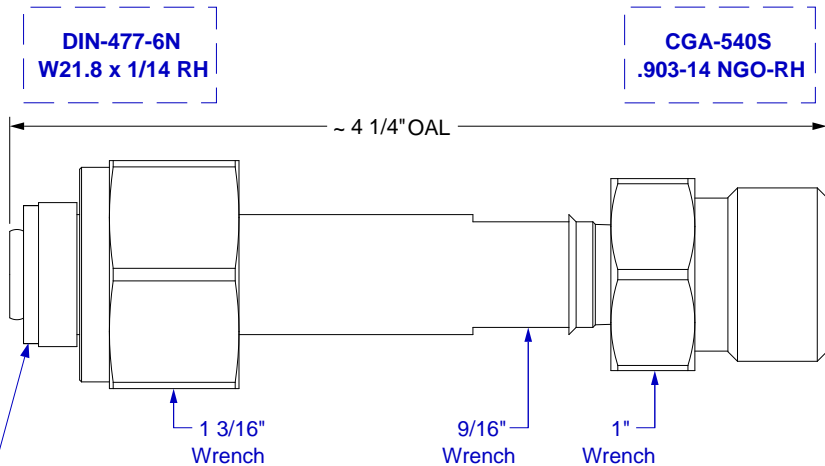
Inlet Fitting: DIN-477-6N
Outlet Fitting: CGA-540S

Pressure Rating: 3000 psi MAX Working Pressure
Temp Range: -50°F to +130°F [-45°C to +55°C]



DIN-477-6N is compatible with the following Oxygen Service Standards:

Argentina	IRAM 2539 No 2
Denmark	DA727-2
Finland	SFS 2294
Norway	21.8 RH



Replacement Part:
00HDW-0385-00
Washer, DIN-477-6, Nylon

UNLESS OTHERWISE SPECIFIED, DIMENSIONS ARE IN INCHES. DIMENSIONS IN [] ARE MILLIMETERS (REF) TOLERANCES ARE: 0.X ±0.015 ANGLES ±3° 0.XX ±0.010 FRACTIONS ±1/64 0.XXX ±0.005 INTERPRET GD&T PER ASME 14.5		MH MOUNTAIN HIGH E&S CO. REDMOND, OR. USA	
THIRD ANGLE PROJECTION		THIS DOCUMENT AND ALL TECHNICAL DATA HEREON DISCLOSED ARE PROPERTY OF MOUNTAIN HIGH E&S CO. AND SHALL NOT BE USED, RELEASED OR DISCLOSED IN WHOLE OR PART WITHOUT WRITTEN PERMISSION FROM MOUNTAIN HIGH E&S CO. THIS DOCUMENT MUST BE RETURNED TO MOUNTAIN HIGH E&S CO. IMMEDIATELY UPON REQUEST.	
DRAWN SGO 2020-08-17		DWG TITLE Transfill Adapter, DIN-477-6N to CGA-540S [SCD]	
CHECKED		DWG NUMBER 5SGSE-1049-00	
ENGINEER		DWG REV. -1	
APPROVED		SRC 00GSE-1049-00\$-0 INV. PART 00GSE-1049-00 FILE 5SGSE-1049-00\$-1 NUMBER	
DO NOT SCALE DRAWING		PROD. NAME TA-DIN6N-540S	
		DWG FORMAT: ESR-002 Rev H [26] DWG SCALE	
		DWG SHEET 1 OF 1 DWG SIZE A 11x8 1/2	

Insert #: 5IGSE-1049-00