

p/n: 00GSE-1031-00



Transfill Adapter, G-1/4-19 BSPP-M x DIN-477-9N Euro

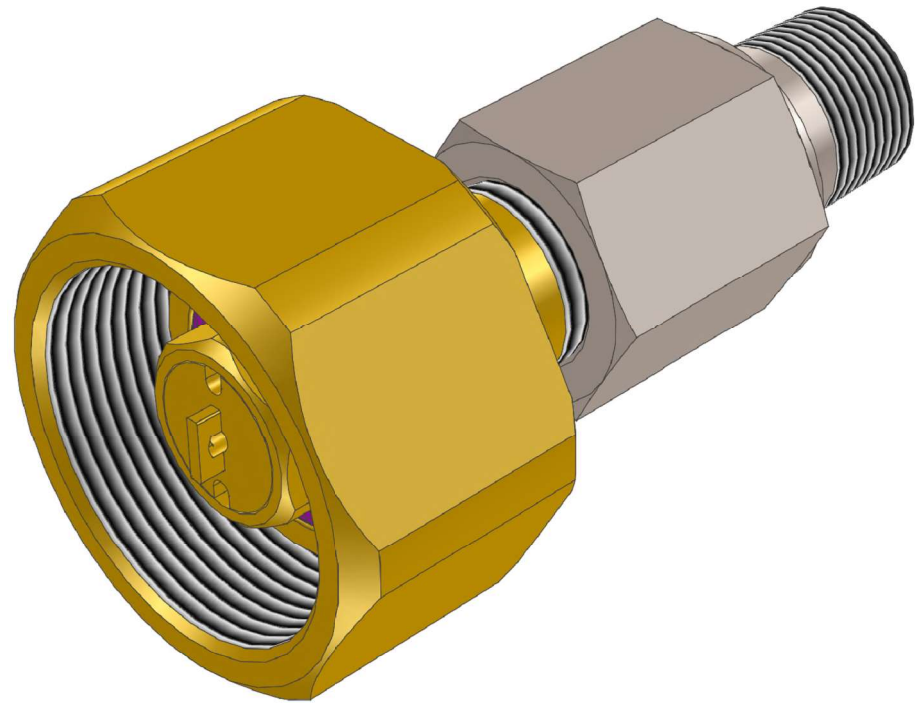
Date:

Cleaned for Oxygen Service per MH ESR-008D

Aviation Oxygen Systems

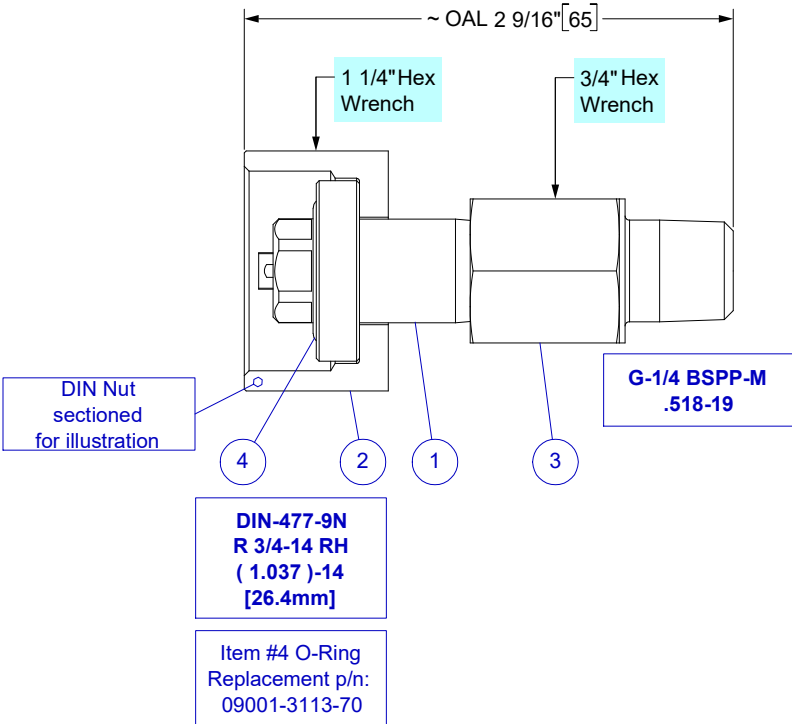
**MOUNTAIN HIGH**  
Equipment & Supply Company

REV	ECO	Release	Drawn	REVISION HISTORY
B2	2019-009	2019-02-22	SGO	Customer Insert Drawing



**GENERAL SPECIFICATIONS**

Weight: 5.8 oz [165 g]  
 Operating Pressure: 3000 PSI  
 Temp Range: -50°F to +130°F [-45°C to +55°C]



UNLESS OTHERWISE SPECIFIED, DIMENSIONS ARE IN INCHES. TOLERANCES ARE:  
 0.X ±0.015  
 0.XX ±0.010  
 0.XXX ±0.005

ANGLES ±3°  
 FRACTIONS ±1/64

INTERPRET GD&T PER ASME 14.5

THIRD ANGLE PROJECTION

DO NOT SCALE DRAWING

**MH MOUNTAIN HIGH E&S CO.**  
**REDMOND, OR. USA**

THIS DOCUMENT AND ALL TECHNICAL DATA HEREON DISCLOSED ARE PROPERTY OF MOUNTAIN HIGH E&S CO. AND SHALL NOT BE USED, RELEASED OR DISCLOSED IN WHOLE OR PART WITHOUT WRITTEN PERMISSION FROM MOUNTAIN HIGH E&S CO. THIS DOCUMENT MUST BE RETURNED TO MOUNTAIN HIGH E&S CO. IMMEDIATELY UPON REQUEST.

Ref	Qty	Description	Material
1	1	DIN Nipple Assy	UNS C36000 (CDA-360) Free-Cutting Brass
2	1	DIN Nut	UNS C36000 (CDA-360) Free-Cutting Brass
3	1	G-1/4 BSPP Adapter	UNS G10180 (ASTM A576) Low-Carbon Steel
4	1	O-ring	EPDM

DWG TITLE <b>Customer Drawing, Transfill Adapter, G-1/4-19 BSPP-M x DIN-477-9N Euro</b>		DWG REV. <b>B2</b>
DWG NUMBER <b>5IGSE-1031-00</b>		
CAD FILE 00GSE-1031-00\$B2	INV. PART NUMBER 00GSE-1031-00	PROD. NAME TA-477N-BSPPM
DWG FORMAT: ESR-002 Rev H [20]	DWG SCALE	DWG SHEET 1 OF 1
		DWG SIZE 11x8 1/2

Insert #: 5IGSE-1031-00