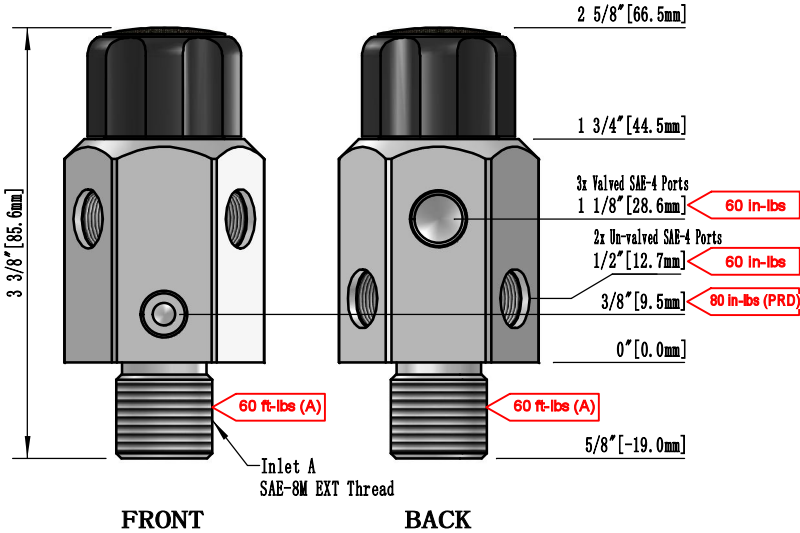


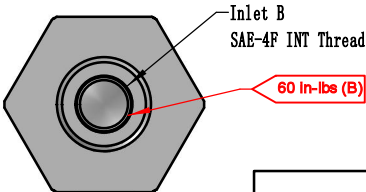
TOP

1 3/8" [34.9mm]  
Hex Flats



FRONT

BACK



BOTTOM

O-RINGS			
INDUSTRY P/N	MOUNTAIN HIGH P/N	MATERIAL	CYLINDER TYPE
2-210 V90	09001-0210-90	VITON	AL/CFPC
3-908 E70	09001-3908-70	EPDM	CFP/KF

UNLESS OTHERWISE SPECIFIED, DIMENSIONS ARE IN INCHES.  
DIMENSIONS IN [ ] ARE MILLIMETERS (REF)  
TOLERANCES ARE:  
0.X ±0.015 ANGLES ±3°  
0.XX ±0.010 FRACTIONS ±1/64  
0.XXX ±0.005  
63  
INTERPRET GD&T PER ASME 14.5

**MH MOUNTAIN HIGH E&S CO.**  
**REDMOND, OR. USA**

THIS DOCUMENT AND ALL TECHNICAL DATA HEREON DISCLOSED ARE PROPERTY OF MOUNTAIN HIGH E&S CO. AND SHALL NOT BE USED, RELEASED OR DISCLOSED IN WHOLE OR PART WITHOUT WRITTEN PERMISSION FROM MOUNTAIN HIGH E&S CO. THIS DOCUMENT MUST BE RETURNED TO MOUNTAIN HIGH E&S CO. IMMEDIATELY UPON REQUEST.

PRD: PRESSURE RELIEF DEVICE				
CYLINDER SERVICE PRESSURE (PSIG)	MH PART NUMBER	DISC RUPTURE RANGE PSIG AT 160°		RUPTURE DISC STAMPING
		MINIMUM	MAXIMUM	
1800	00VEN-0011-00	2700	3000	3000
2015 & 2216	00VEN-0015-00	3025	3360	3360

THIRD ANGLE PROJECTION

DO NOT SCALE DRAWING

DOC TITLE	Hex Valve (SCD)		
DRAWN	KQM	2024-07-24	
CHECKED	EAM	2024-08-06	
ENGINEER	JB	2024-08-06	
APPROVED	HBS	2024-08-13	
DOC/INSERT NUMBER	51CYL-0024-00		DWG REV. -1
SRCFILE	51CYL-0024-00\$-1	INV. PART NUMBER	00CYL-0024-00
DWG FORMAT:	ESR-002 Rev H [27]	DWG SCALE	1.5:1
DWG SHEET	1	OF	1
DWG SIZE	A 11x8 1/2		

REVISION HISTORY

REV	ECO NO. YYYY-MM-DD	NAME	NOTES
-0	2016-022 2016-05-04	SGO	INITIAL RELEASE [SCD]
-1	2024-040 2024-07-24	KQM	DOC RE-WORK & ADDED SPECIFICATIONS

GENERAL SPECIFICATIONS:

**Material:** UNS C36000 (CDA-360)  
Chrome-Plated Brass

**Weight:** 13.4 oz [382 g]

**Inlet:** 3/8-16 UNF-2A SAE-8 EXT THD (Cylinder Mount)  
7/16-20 UNF-2B SAE-4 INT THD [NOTE 2]

**Outlets (Valved):** (3x) 7/16-20 UNF-2B SAE-4 INT THD

**Outlets (Un-valved):** (2x) 7/16-20 UNF-2B SAE-4 INT THD

**PRD Port:** 3/8-24 UNF-2B INT THD [NOTE 3]

**Operating Pressure:** 3000 PSI

**Temp Range:** -50° F to +130° F [-45° C to +55° C]

NOTES:

- Cleaned for Oxygen service
- Axial SAE-4 INT THD inlet port available for cylinder Dip Tube or Remote Mount applications
- Requires Pressure Relief Device (PRD) as indicated by cylinder service pressure - One time install
- Use oxygen compatible lubricant for O-rings, (eg. Cristo-Lube)