

1

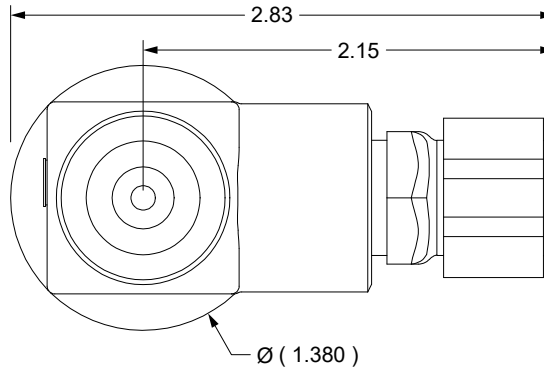
2

3

4

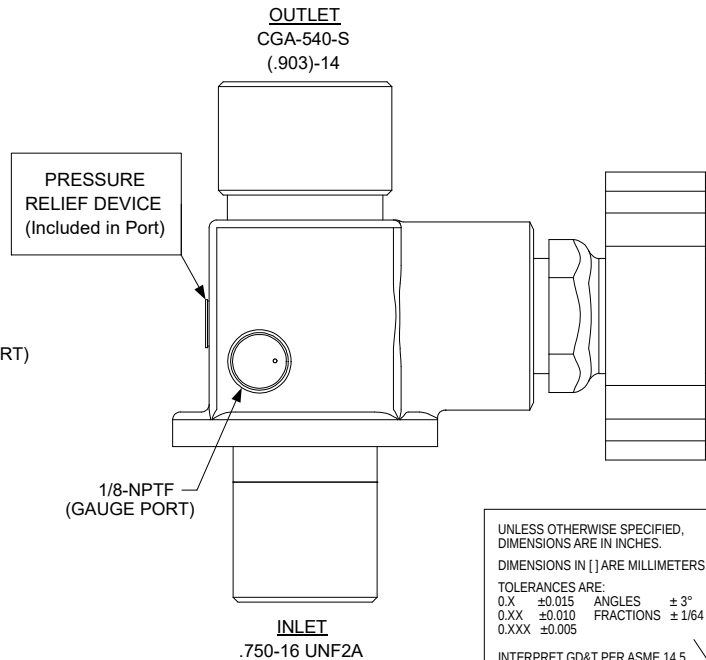
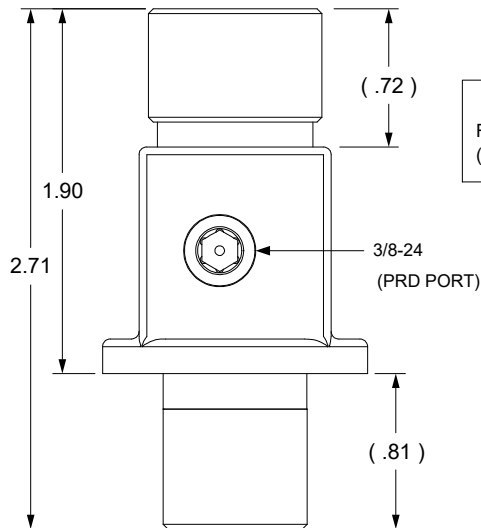
REVISION HISTORY

REV	ECO NO. YYYY-MM-DD	NAME	NOTES
-0	2023-013 2023-03-21	JPA	Initial Release



GENERAL SPECIFICATIONS

MATERIAL:	UNS 37700 FORGING BRASS, CHROME-PLATED
WEIGHT:	11.3 oz [320 g]
INLET:	.750-16 UNF2A
OUTLET:	CGA-540-S
PRESSURE RATING:	2200 PSI (Service Pressure)
TEMP RANGE:	-50°F to +120°F [-45°C to +49°C]
CLEAN:	FOR OXYGEN SERVICE
PRESSURE RELIEF:	AS REQUIRED



UNLESS OTHERWISE SPECIFIED,
DIMENSIONS ARE IN INCHES.
DIMENSIONS IN [] ARE MILLIMETERS (REF)
TOLERANCES ARE:
0.X ±0.015 ANGLES ±3°
0.XX ±0.010 FRACTIONS ±1/64
0.XXX ±0.005
INTERPRET GD&T PER ASME 14.5

MH MOUNTAIN HIGH E&S CO.
REDMOND, OR. USA

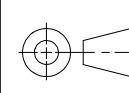
THIS DOCUMENT AND ALL TECHNICAL DATA HEREON DISCLOSED ARE PROPERTY OF MOUNTAIN HIGH E&S CO. AND SHALL NOT BE USED, RELEASED OR DISCLOSED IN WHOLE OR PART WITHOUT WRITTEN PERMISSION FROM MOUNTAIN HIGH E&S CO. THIS DOCUMENT MUST BE RETURNED TO MOUNTAIN HIGH E&S CO. IMMEDIATELY UPON REQUEST.

DWG TITLE
Cylinder Valve, Sherwood, Vertical Output,
CGA-540-S x .750-16 UNF2A, with Gauge Port [SCD]

THIRD ANGLE PROJECTION

DRAWN JPA
2023-03-21CHECKED EAM
2023-03-21ENGINEER PLM
2023-03-21APPROVED HBS
2023-03-21

DO NOT SCALE DRAWING



DWG NUMBER

50CYL-0015-00

SRC FILE

00CYL-0015-00\$-0

INV. PART NUMBER

00CYL-0015-00

PROD. NAME

DWG REV. -0

DWG FORMAT: ESR-002 Rev H [27]

DWG SCALE

DWG SHEET 1 OF 1

DWG SIZE A 11x8 1/2

1

2

3

4

A

B

C

D

A

B

C

D