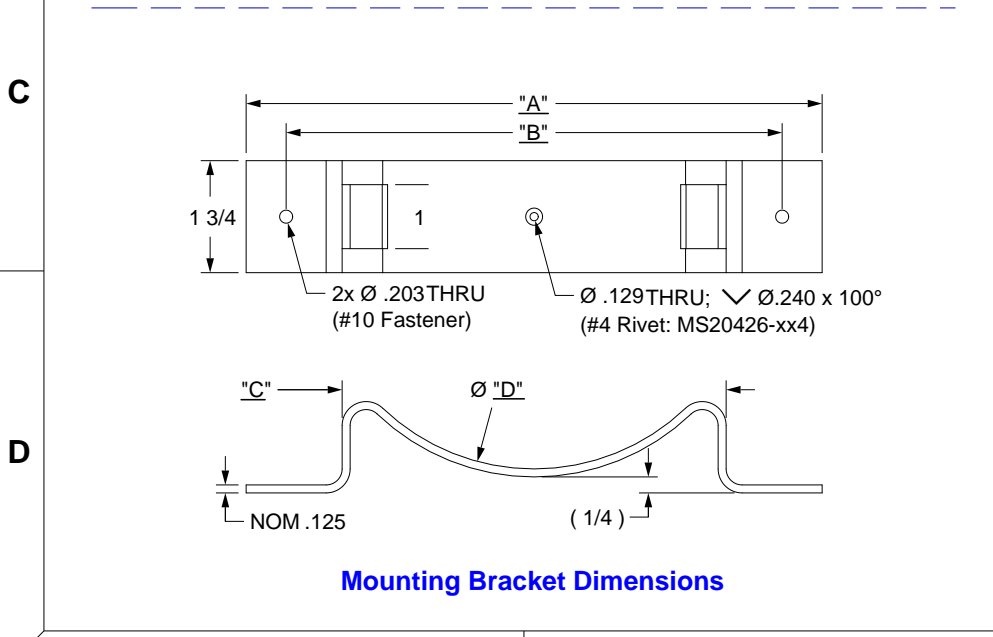


Cylinder Mounting Kit



Mounting Bracket Dimensions

REVISION HISTORY			
REV	ECO NO. YYYY-MM-DD	NAME	NOTES
-0	2016-036 2016-07-21	SGO	Initial Release
-1	2016-045 2016-08-17	SGO	Correct table entry: 6.8 Cushion Band was 09033-0002-00, is 09033-0003-00
-2	2016-051 2016-09-27	SGO	Omit 7.6" Cylinder Kit; Correct Cylinder Mounting Kit p/n's: 00CMK-1048-03 is 00CMK-0006-13, 00CMK-1115-03 is 00CMK-0012-13

GENERAL SPECIFICATIONS

Weight: 20 oz [56 g] (per set of 2, p/n 00CMK-0006-13)
 Threads: 1/4-28 UNJF (T-Bolt, Knob)

Material
 Band Clamp: 300 Series Stainless Steel
 Mounting Bracket: 6061-T4 Aluminum

Mounting Hardware
 Mounting Bracket: #10 (or bracket may be drilled out for 1/4")
 Bracket/Band: (optional) #4 Rivet (MS20426-xx4)

Cylinder Mounting Kits, Saddle-Bracket Style, QR		
Cylinder Diameter (in.)	6.8	9.1
Applicable Cylinder(s)	CFFC-048, KF-050	KF-115
Cylinder Mounting Kit (p/n)	00CMK-0006-13	00CMK-0012-13
Replacement/Spare Parts (p/n):		
Band Clamp	00CMK-0055-02	00CMK-0072-02
Knob	00CMK-0036-00	00CMK-0036-00
Cushion Band	09033-0003-00	09033-0004-00
Mounting Bracket	00CMB-0048-00	00CMB-0115-00
Mounting Bracket Dimensions (in.):		
"A" = Bracket OAL	9	10
"B" = Mounting Hole Spacing	7.75	9
"C" = Saddle Width	6	7.5
"D" = Saddle Diameter	6.85	9.15

UNLESS OTHERWISE SPECIFIED, DIMENSIONS ARE IN INCHES. TOLERANCES ARE: 0.X ±0.015 0.XX ±0.010 0.XXX ±0.005		MH MOUNTAIN HIGH E&S CO. REDMOND, OR. USA	
ANGLES ±3° FRACTIONS ±1/64		THIS DOCUMENT AND ALL TECHNICAL DATA HEREON DISCLOSED ARE PROPERTY OF MOUNTAIN HIGH E&S CO. AND SHALL NOT BE USED, RELEASED OR DISCLOSED IN WHOLE OR PART WITHOUT WRITTEN PERMISSION FROM MOUNTAIN HIGH E&S CO. THIS DOCUMENT MUST BE RETURNED TO MOUNTAIN HIGH E&S CO. IMMEDIATELY UPON REQUEST.	
INTERPRET GD&T PER ASME 14.5		Cylinder Mounting Kits, Saddle-Bracket Style, QR [SCD] 51CMK-0006-00	
THIRD ANGLE PROJECTION	DRAWN SGO 2016-07-14 CHECKED EAM 2016-07-21 ENGINEER TD 2016-07-21	DWG TITLE 51CMK-0006-00 DWG NUMBER	DWG REV. -2
DO NOT SCALE DRAWING	APPROVED HBS 2016-07-21	INV. PART NUMBER 00CMK-0006-13 PRODUCT NAME 00CMK-0012-13	DWG SHEET 1 OF 1 DWG SIZE A