

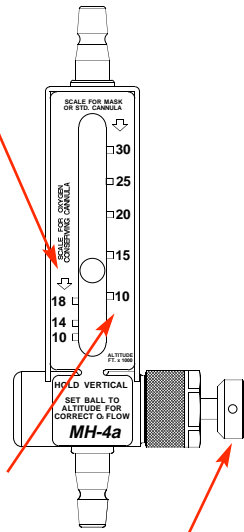
PORTABLE AVIATION OXYGEN SYSTEM OPERATING INSTRUCTIONS

Consult operators manual for detailed instructions

USE
OXYMIZER
CANNULA
WITH **MH3**
(LEFT SCALE)
FOR FLIGHT
OPERATIONS
BELOW
FLIGHT LEVEL
180

USE
FACEMASK
WITH **MH4**
FLOWMETER
(RIGHT SCALE)

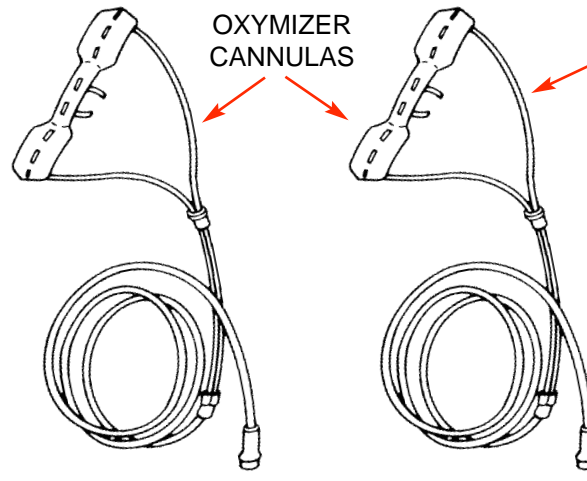
FOR FLIGHT
OPERATIONS
AT AND ABOVE
FLIGHT LEVEL
180



HOLD
FLOWMETER
VERTICAL AND
ADJUST KNOB
WHERE BALL
INDICATES
ALTITUDE.



FACEMASK



OXYMIZER
CANNULAS

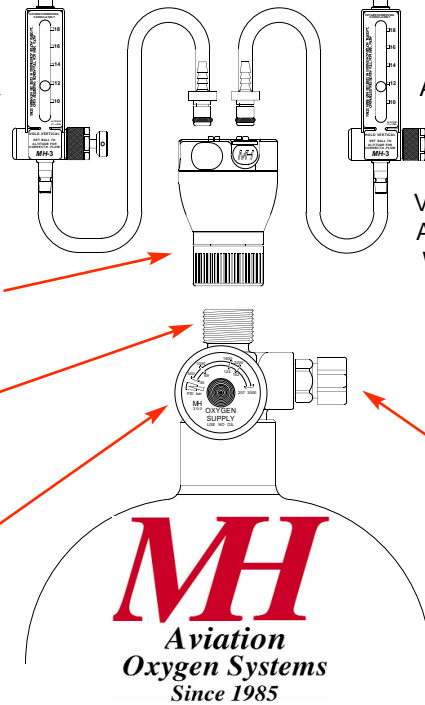
USE
OXYMIZER
CANNULA
WITH
MH3
FLOWMETER
FOR FLIGHT
OPERATIONS
BELOW
FLIGHT
LEVEL 180

FLOW
METER

FOUR-PLACE
REGULATOR

TANK
FILLER
PORT
CGA-540

TANK
SUPPLY
GAUGE



FLOW
ADJUSTMENT
CONTROL.

HOLD
VERTICAL AND
ADJUST KNOB
WHERE BALL
INDICATES
ALTITUDE.

MAIN
ON/OFF
VALVE



1

2

3

4



CAUTION



Cylinder Contains High Pressure Oxygen

Keep cylinder away from heat, flames and direct sunlight and store in a dry cool area.
Do not open cylinder valve without regulator or transfilling equipment properly attached.

Keep valve closed when not in use or empty.

Never allow oil, grease or other combustible substance to come in contact with the
cylinder or related system components as it may combine with the oxygen and react with
explosive violence causing injury or death

Mountain High Aviation Oxygen Systems. Redmond, OR. www.mhooxygen.com