

**GENERAL SPECIFICATIONS**

Material: UNS A96061 (6061-T6) Aluminum (body)  
 Weight: 1.3 oz [37 g] (sans cable)

Microphone: David Clark M-7A noise-canceling amplified electret  
 • Impedance 50Ω ± 20%  
 • Sensitivity 400mV ± 6dB into 150Ω load @ 1kHz for 114dB SPL input  
 • Freq. Response 300Hz - 3.5kHz per RTCA DO 214

Connector: U-173/U [Delta-style] Microphone Jack

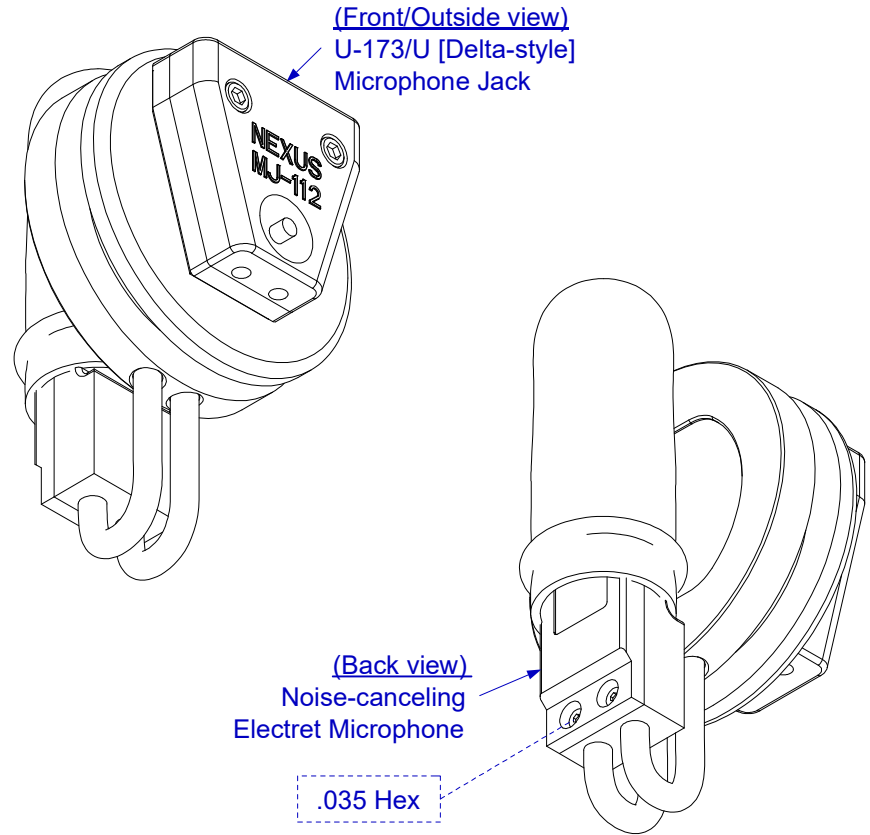
Adapter Cable: MH p/n AMSK0-0109-00  
 (as required) QD Microphone Cable Assembly,  
 U-173/U to PJ-068 [MIL-DTL-642/5] phone-plug

The ALPS Mask microphone is an amplified/buffered noise-canceling electret-condenser type. It is built into our custom housing which may be fitted into the ALPS Mask as well as many other civilian face masks.

The MH AMSK0-0109-00 QD Microphone Cable may be used to adapt to the typical PJ-068 [MIL-DTL-642/5] phone-plug style aviation microphone connector.

The David Clark M-7A electret microphone is the most advanced noise canceling microphone available. The M-7A microphone enables pilots to fly in safety and comfort with crisp, clear voice communication.

REV	ECO	Release	Drawn	REVISION HISTORY
-1	2020-019	2020-07-13	SGO	Customer Drawing



Spare/Replacement Parts	
MH p/n	Description
38211-0001-00	Noise Canceling Electret Microphone [M-7A]
0MSKB-0005-00	Mic Muff, Deluxe Mask Module
	O-ring [included with Mic Muff]
AMSK0-0109-00	QD Mic Cable Assy, U-173/U to PJ-068 [MIL-DTL-642/5]

UNLESS OTHERWISE SPECIFIED, DIMENSIONS ARE IN INCHES. DIMENSIONS IN [ ] ARE MILLIMETERS (REF)				THIS DOCUMENT AND ALL TECHNICAL DATA HEREON DISCLOSED ARE PROPERTY OF MOUNTAIN HIGH E&S CO. AND SHALL NOT BE USED, RELEASED OR DISCLOSED IN WHOLE OR PART WITHOUT WRITTEN PERMISSION FROM MOUNTAIN HIGH E&S CO. THIS DOCUMENT MUST BE RETURNED TO MOUNTAIN HIGH E&S CO. IMMEDIATELY UPON REQUEST.	
TOLERANCES ARE: 0.X ±0.015 ANGLES ±3° 0.XX ±0.010 FRACTIONS ±1/64 0.XXX ±0.005				DWG TITLE <b>Customer Drawing, ALPS Mask Microphone with U-173/U Connector [SCD]</b>	
THIRD ANGLE PROJECTION 		DRAWN SGO 2014-06-24 CHECKED EM 2014-07-09 ENGINEER TD 2014-07-09 APPROVED HBS 2014-07-09		DWG FORMAT: ESR-002 Rev H [23] DWG SCALE:	
DO NOT SCALE DRAWING		DWG FILE: AMSK0-0115-00\$-1 INV. PART NUMBER: AMSK0-0115-00 PROD. NAME:		DWG SHEET: 1 OF 1 DWG REV: -1 DWG SIZE: A 11x8½	