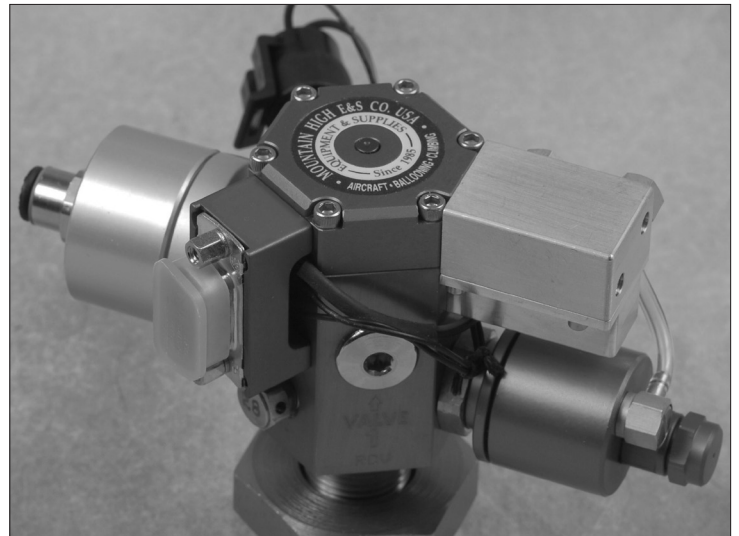
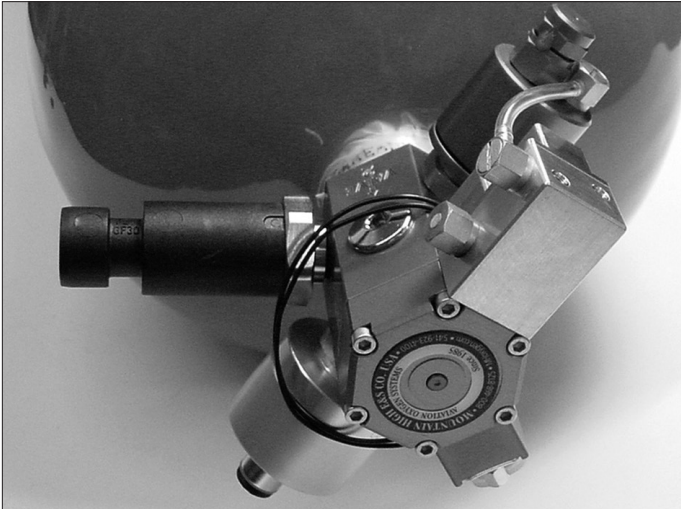

RCV/RCR Manual and Description

Remote Controlled Valve/ Remote Controlled Regulator

for RCV hardware version E, manual rev. 3.1

RCV/RCR

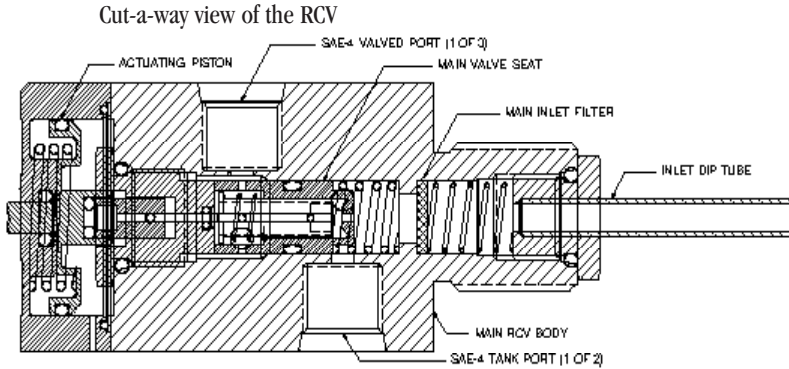


GENERAL DESCRIPTION:

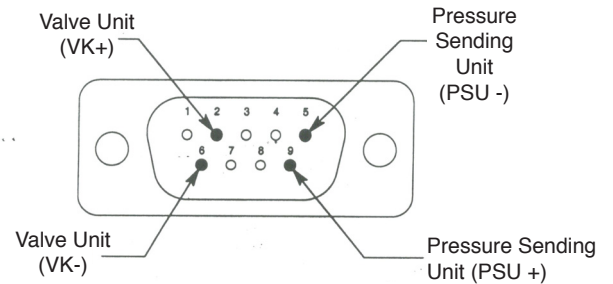
The RCV/RCR is a remote controlled oxygen valve and regulator assembly intended for use in experimental aircraft oxygen systems and related applications. The RCV/RCR does not comply to any known TSO nor does it have any current STCs. The RCV (Remote Controlled Valve) is the “main hex-body” valve device without any regulator units mounted to any of the 3 valve ports. Once an appliance such as a regulator has been mounted to any of these ports it becomes an RCR (Remote Controlled Regulator). The RCV/RCR unit is a dual purpose remotely controlled product. It can be controlled (operated) remotely by pneumatic, electro-pneumatic or mechanical means. In addition, the RCV/RCR has a dual purpose inlet port system that can be directly mounted to any cylinder that has an SAE-8 (0.750-16) female service port. It can be interconnected by fittings and tubing to a pressure system or cylinder via the SAE-4 female inlet port centered just inside the SAE-8 male port.

THEORY OF OPERATION:

The design of the RCV/RCR is relatively simple. It is generally operated by pneumatic means utilizing a very small amount of the pressurized oxygen supply, regulated by a pilot regulator, to provide the necessary (normally static) pressure to operate (lift) a piston that opens a high-pressure main valve-seat device inside the RCV body. The figure below shows the RCV in the closed position with the pneumatic operation.



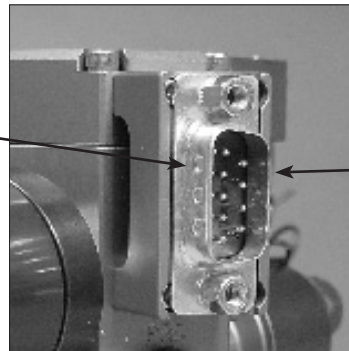
DE-09 CONNECTOR



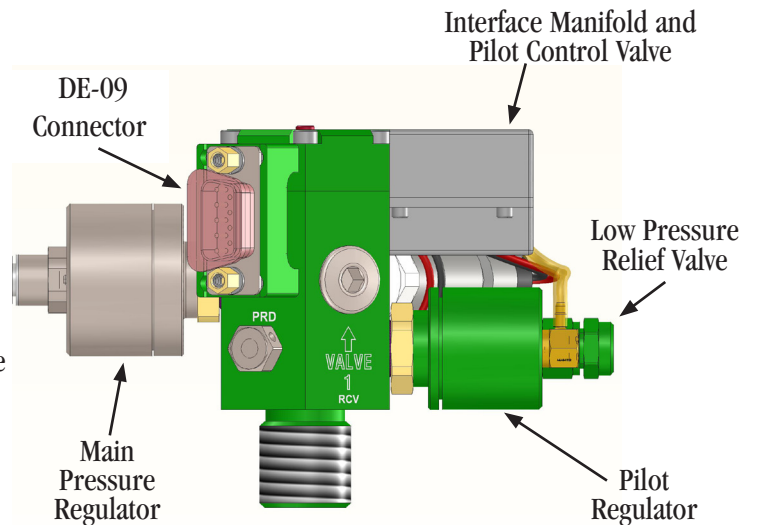
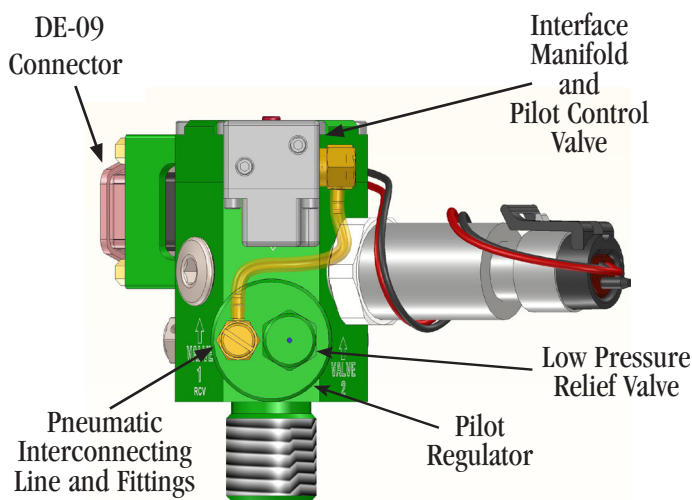
Electrical Interface Connections

Suggested electrical connection on the ‘DE-09’ connector for electro pneumatic option are as follows:

The pins on the DE-09 connector can be wired as needed



DE-09 PIN ASSIGNMENT RCV/RCR ASSEMBLY	1	NOT CONNECTED
	2	PIN 2 (VK+)
	3	NOT CONNECTED
	4	NOT CONNECTED
	5	PIN 5 (PSU -)
	6	PIN 6 (VK -)
	7	NOT CONNECTED
	8	NOT CONNECTED
	9	PIN 9 (PSU+)



THE PORTS ON THE RCV ARE LABELED AS FOLLOWS:

PRD (*Non-resettable Pressure Relief Device*):

This is an emergency over-pressure burst plug. This port cannot be used for any other purpose. It will never need to be removed for inspection or periodic replacement. It will, however, need to be replaced if it has been damaged or has popped open from an over-pressure situation. WARNING: DO NOT REMOVE OR COVER the PRD port.

Tank Ports 1 & 2 (*always live!! connected directly to the cylinder/inlet port*):

These are high pressure non-regulated and non-valved SAE-4 female ports. They pneumatically connect directly into the inlet port of the RCV unit at all times, which is usually connected to a cylinder. These are for connecting a refill fitting, remote refill station, remote pressure gauge or manifold interconnecting all the above to the system or to another (cascade) cylinder system. These ports are SAE-4 7/16-20 UNF-2B straight female threads. Any SAE-4 male fitting must be used with a size 3-904 EPDM O-ring. Tank port #1 will have the pilot regulator mounted to it. This regulator provides about 2 bars (30 psig) of pressure to operate the pneumatic actuator. It has a small flow-rate that is sufficient to operate the system in static modes and not suitable for operation in a constant-flow mode.

Valve Ports 1, 2 & 3 (*on/off valved outlet ports*):

These are high pressure valved non-regulated ports. They are identical in form and function, but are switched on and off via the pneumatic, electro-pneumatic or mechanical operator. Once the valve is open, they connect directly into the cylinder while the valve is in the on (open) state. These ports have SAE-4 7/16-20 UNF-2B straight female threads. Any SAE-4 male fitting must be used with a size 3-904 EPDM O-ring. The OFF setting is when the small red button on the top center of the RCV hex cap is pressed into the valve body (mechanical option) or is allowed to go into the cap (pneumatic option). It presses the valve plunger into the inlet valve-seat shutting off the oxygen supply from the cylinder to ports labeled valve 1, 2 & 3. The ON setting is such that this red button is allowed to move back out (mechanical option) or moved out (pneumatic option) of the hex cap, thus allowing the flow of oxygen directly from the cylinder to be present at the three (3) valve ports. A pressure reducing regulator is not involved at this point.

Co-axial Inlet Port (*not labeled*):

The inlet port is a dual threaded co-axial port. The 3/4-16 (0.750-16 UNF-2A) straight male threads are for connecting directly to a cylinder of that same thread type. In addition, on the inside is a female 7/16-20 UNF-2B straight thread (SAE-4) port is useful in applications where the RCV/RCR unit will not be directly mounted to the cylinder, but to a surface with an angle bracket. A fitting will connect the unit to the cylinder pneumatically. The male 3/4-16 UNF-2B (SAE-8) threads can then be used to secure the RCV unit to the bracket via a jam-nut (AN-924) or of that thread type.

Application Hint:

The three "VALVE" ports are identical in form and function and differ only in physical position. They are to help satisfy multiple regulator requirements that may be calibrated at different pressures and/or flow. The ports can provide easy and safe applications where two separate non-interfering secondary systems may need to operate from one cylinder.

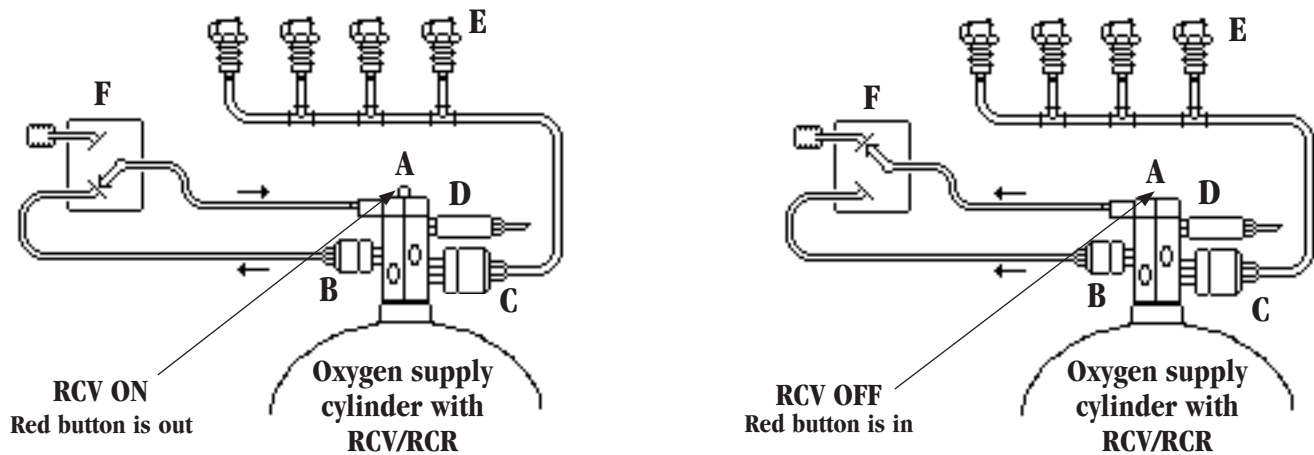
GENERAL OPERATING OPTIONS

The RCV (Remote Controlled Valve) can be actuated (operated) by two main means. They are;

- 1: Pneumatically and
- 2: Electro-pneumatically.

1. PNEUMATIC:

The RCV (abstract figure below) unit has a built-in pneumatic actuating piston that allows remote operation of the RCV by two basic pneumatic means. They are; 1: an external pressure supply of about 2 bars (30 psig.) being applied to the actuation port of the actuating manifold on the RCV, 2: the screw-on pilot regulator, calibrated to 2 bars (30 psig.), provides the actuating pressure in which a simple 3-way valve is plumbed and remotely mounted to operate the RCV unit. The pilot regulator taps a small amount of the oxygen supply for static pneumatic actuating needs. It is always active and does not allow gas to flow, except for a very small amount during the state changes from on to off and visa versa. Once the RCV has settled in the on or off state, the pilot regulator automatically shuts off holding the interface tubing at the calibrated pressure. A small vent port releases a very small amount of gas as the electro- pneumatic valve is released to the off state. At the users option, a small 4mm. OD X 2.4 mm. ID tube may be connected to this port to provide an overboard vent. The amount of gas released by this vent port (during turn-off phase only) is about 10 cc. for the interface manifold. The actual volume vented during the turn-off phase will be a function of the size of the actuating pneumatic interconnecting tubing used for that installation. 2 to 4 mm (1/16 to 1/8") Diameter line recommended

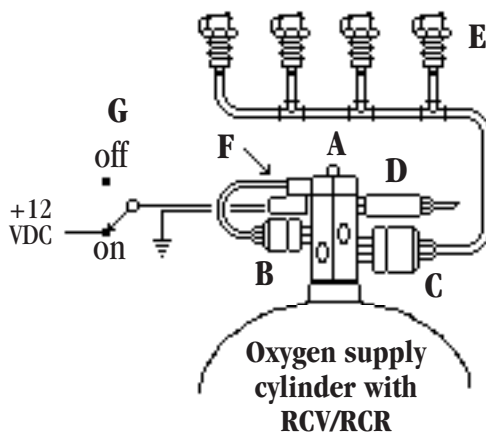


The basic pneumatic actuating method for the RCV:

A: RCV unit, B: Pilot reg., C: Main reg., D: optional cylinder pressure sending unit, E: oxygen check-valve outlets, F: remote pneumatic 3-way on/off valve.

2. ELECTRO-PNEUMATIC:

The remote electro-pneumatic method (abstract figure below) probably offers the most convenient method of operation. Applying current turns the RCV on and removing the current turns the RCV off. The electro-pneumatic valve can be ordered in three voltage ratings. They are: 5V, 12V and 24V. The 12 volt valve requires about 0.85 A to initially turn on the RCV. The sustain current thereafter can then be about 1/2 of that. The screw-on pilot regulator, calibrated at 2 bars (30 psie.), is required and is directly plumbed to the actuating manifold. A small vent port releases a very small amount of gas as the electro-pneumatic valve mm. ID tube may be connected to this port to provide an overboard vent. The amount for the interfacemanifold.



Basic RCV electro-pneumatic schematic.

- A: RCV unit
- B: Pilot reg.
- C: Main reg.
- D: optional cylinder pressure sending unit
- E: oxygen check-valve outlets
- F: electro-pneumatic 3-way on/off valve

1. PNEUMATIC RCV/RCR PACKAGE:

This basic package comes with the following items:

- 1 ea. RCV assembly with a firmly mounted PRD unit for 1,800 psig. oxygen service. The pneumatic interface manifold pre-mounted to the hex end-cap.
- 1 ea. Main regulator assembly (unit) firmly mounted to the RCV unit and calibrated to 15 psig. @ 25 liter/min. with 6 mm. poly-tube ferrule fitting firmly mounted (not shown) to the axial regulator outlet cap. The emergency lanyard pull-on version can be added by option. Specify this requirement when ordering.
- 1 ea. SAE-4/MS to 1/8" OD tube fitting (Swagelok(r) B-200-1-4ST) to connect to a fill station and/or gauge.
- 2 ea. SAE-4/MS 9/16 HEX utility plugs.
- 1 ea. Document package with 2-904 & 2-908 o-ring kit

2. ELECTRO-PNEUMATIC RCV/RCR PACKAGE:

This basic package comes with the following items:

- 1 ea. RCV assembly with a firmly mounted PRD unit for 1,800 psig. oxygen service. The electro-pneumatic interface manifold and electro-pneumatic valve pre-mounted to the RCV assembly.
- 1 ea. Main regulator assembly (unit) firmly mounted to the RCV unit and calibrated to 15 psig. @ 25 liter/min. with 6mm. polytube ferrule fitting firmly mounted (not shown) to the axial regulator outlet cap. The emergency lanyard mechanical pull-on version can be added by option. Specify this requirement when ordering.
- 1 ea. SAE-4/MS to 1/8" OD tube fitting (Swagelok(r) B-200-1-4ST) to connect to a fill station and/or gauge.
- 2 ea. SAE-4/MS 9/16 HEX utility plugs.
- 1 ea. Document package with 2-904 & 2-908 o-ring kit

OPTIONAL EQUIPMENT:

(See MH catalog for details)

Remote Fill station (MS 22066 compatible):

This allows the filling of the system through a remotely mounted station. The station is available in two types. 1: SAE Tee style and a deluxe gauged version.

Fill fitting (MS 22066 compatible) to SAE-4/MS with cap & chain:

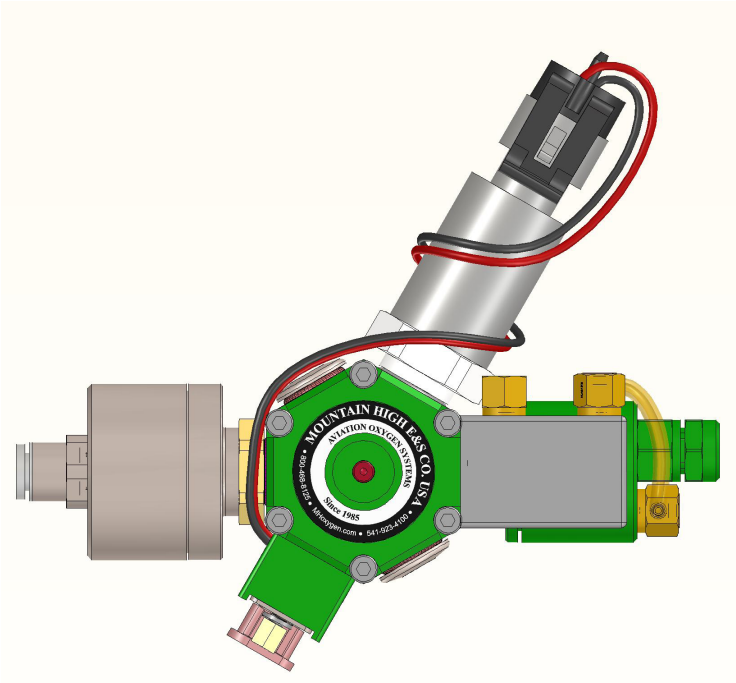
This fill fitting mounts directly to the RCV hex body. It is recommended for applications only where the RCV/RCR assembly is easily accessible for refills.

HPQD system:

A High-Pressure-Quick-Disconnect system allowing you to disconnect the main high-pressure system of the aircraft (gauge, fill station and cascade equipment) from the cylinder and regulator assembly for complete removal from the aircraft without emptying the cylinder.

Remote cylinder contents pressure gauge kits:

Pneumatic gauge and capillary tubing kits are available. The all electronic version with the 4-20 ma. sending gauge version will be available Q3-1999.



CAUTION

Each RCV/RCR unit is fully tested for operation and specifications at 2,000 psig. @ 25 degrees C before they are packaged and released to the customer. If SAE-4 plugs and fill fitting are shipped installed and not the RCV body they may be finger tight only.

MAIN REGULATOR:

The RCR-1 unit is equipped with one main regulator ASSY. unit. It has one 1/8 ANPT-F outlet port on the end in axis of the regulator. It is calibrated to deliver oxygen at 15 psig. @ approx. 35 liters/minutes. It is intended to be use with the MH3, MH4 or EDS unit as the secondary (final) regulator device. If the RCR-1 is to be used with the A34-2ip or A34-3ip this regulator must be calibrated to deliver approx. 35 psig @25 liters/min. This is a factory fabrication and calibration procedure. The RCR-1 can be specially ordered with a high-pressure, high-flow regulator. This unit is equipped with a special inlet seat, piston and spring. It is calibrated to deliver 50-65 psig @ approx. 85-95 liters/min. The standard issue 15 psig. regulator unit CANNOT be made to regulate these high-pressures and flows without changing the internal parts. This is a factory fabrication and calibration procedure. All regulators will be calibrated to the 1 bar (15 psig.) standard unless other wise specified by the buyer at time of order.

Weight:

0.454 kg. (16 oz.) with electro pneumatic option and one main regulator unit & fittings

Dimensions:

See reference drawings

Voltage options for electro pneumatic valve:

12, 24 volts @ 0.5, 1, 2 Watts

RCV is on during sustained current and off with no current (ballast recommended)

RCV Max. allowable leakage (Air):

≈ 0.01 cc / Hr.

Test condition with RCV and electro pneumatic option and one main regulator

HPRD (High pressure relief device):

165°F fusible metal and burst disc for 124 bar (1,800 psig.) service

vice

Number of primary ports (unvalved, direct or wild):

2 (two)

Primary port type:

O-ring type seal SAE-4-F (7/16-20 UNF 3B)

Number of secondary ports (controlled by valve):

3 (three)

Secondary port type:

O-ring type seal SAE-4-F (7/16-20 UNF 3B)

Operational

Operating inlet pressure (full cycle):

≈193 bar (2,800 psig.) @ operating temp

Nominal operating inlet pressure:

≈138 bar (2,000 psig.) @ operating temp

Inlet pressure range for pilot regulator:

≈345 to 207 bar (500 to 3,000 psig.) @ operating temp

Outlet pressure for pilot regulator:

≈2 bar (30 psig.) @ 225 ml/min.

LPRD (low pressure relief device):

5 - 5.5 bar (70 - 80 psig.) automatic resetting poppet

Inlet pressure range for main regulator:

≈345 to 207 bar (500 to 3,000 psig.) @ operating temp

Outlet pressure for main regulator:

≈1 bar (15 psig.) @ 20 liters/min.

Optional LPRD (low pressure relief device):

5 - 5.5 bar (70 - 80 psig.) automatic resetting poppet

Operating temperature (electro pneumatic option):

0°C to 55°C (32° F to 130° F)

Operating temperature (pneumatic only):

-20°C to 60°C (-4° F to 140° F)

Service

RCV MTBO:

3 years or 1,500 full cycle operations

Regulator units MTBO:

5 years or 10,000 full cycle operations

Torque for SAE-8-M (3/4-16 UNF 2A) inlet cylinder mounting port:

CW. 55 to 65 ft. lbs.

Torque for SAE-4-F (7/16-20 UNF 3B) service ports for fittings:

CW. 4 - 8 ft. lbs.

Torque for SAE-4-F (7/16-20 UNF 3B) service ports for regulators:

CW. 3 - 6 ft. lbs.

Material Compatibility and System Design Statement

Materials such as aluminum, iron, steel, polymers and brass commonly used in any oxygen systems may ignite and burn under certain severe and adverse conditions. Although these conditions may be rare they are none-the-less possible in a high pressure pure oxygen environment. Design and manufacturing rules have been applied to this product to ensure the maximum amount of safety and compatibility with high pressure oxygen. The RCV/RCR system has been designed with maximum margin of safety while providing the most capable and lightest system suitable for aircraft applications.

Material And Design

To ensure the best margin of operational safety the main body of the RCV unit is made from 6061-T651 PER QQ-A-225/8 Aluminum and is anodized per MIL-A-8625 TYPE II, CLASS 2 GREEN. The wetted parts (parts that come in direct contact and control high pressure oxygen) are made from CDA-360 brasses or 303 or 304 stainless steels. Where applicable the design guidance and rules for the RCV/RCR pertain to ASTM standard guide for designing systems for oxygen service G88-90 also G63, G93 and G94. Cleaning protocol was adopted from SAE-AIR1176A and other documents from CGA and ASTM. The regulators (appliance) devices are designed, manufactured and cleaned to the same criteria. In addition, the RCV unit and each regulator have a serviceable sintered bronze porous metal filter on the high-pressure inlet ports. It is therefore the duty of the installer and user of the system to ensure that clean and proper practices are used to install, fill and use the system.

SAFETY NOTICE FOR HIGH PRESSURE OXYGEN MANAGEMENT SYSTEMS

Factors recognized as causing fires in oxygen systems

Temperature:

As the temperature of a material increases, the amount of energy that must be added to produce ignition for combustion decreases. Operating an Oxygen system at unnecessarily high temperatures, whether locally or generally, reduces this safety margin. The ignition temperature of the many materials commonly used in oxygen systems is lowered in materials that otherwise might be self-extinguishing.

Pressure:

As the pressure of oxygen in an oxygen system increases, the ignition temperatures of its components typically decrease, and the rates of fire propagation increases. Therefore, operating an oxygen system at unnecessarily high pressures increases the probability of a fire. It should be noted that a pure oxygen environment, even at atmospheric pressures, may still pose a significant hazard with materials that are not compatible such as hydrocarbon oils.

Contamination:

Inadequate cleanliness during assembly, installation or service may cause contamination of oxygen systems. Abrasion and deterioration of system components over time may also cause contamination. Contaminates can be highly flammable and easily ignited. They may be introduced as liquids, solids or gases. Hydrocarbon oils such as hydraulic or engine oil are good examples. Even normally inert contaminants such as rust may produce ignition through particle impacts, friction and resonance heating effects.

Particle impact:

Collisions of inert or ignitable solid particles in a high pressure oxygen enriched environment are associated with potential ignition. Such ignitions may result from the particle being flammable and igniting upon impact and, in turn, igniting other system materials. Ignition may also result from heating of the particles and subsequent contact with system polymers, from fine flammable particles produced during collision, or from the direct transfer of kinetic energy during collision. Absolute removal of particles is not possible, and systems can self generate some particles from normal operation. The RCV/RCR system has been designed to minimize this potential and filters are present at all of the high pressure inlet ports. The hazard associated with particles increases with both heat and temperatures of the system and the kinetic energies of the particles. It should be noted that the quantity of particles in a system will tend to increase with time and usage.

Heat from compression:

Heat is generated from the conversion of a gas going from a low pressure to a high pressure rate. This typically occurs during a system filling operation. In addition, it occurs when high pressure oxygen is released into a dead-ended tube or pipe quickly compressing the residual oxygen that was in the tube or pipe ahead of it. The elevated temperatures produced can ignite contaminants or elevate system components above their ignition point. The hazard of heat from compression increases with system pressure, pressurization rates and temperature.

Resonance:

Acoustic oscillations (whistling-chatter) within resonant cavities are associated with rapid heating. The temperature rises more rapidly and achieves higher values where particles are present or where there are high gas velocities. Resonance phenomena in oxygen systems are well documented, but there are few design criteria.

Static electric discharge:

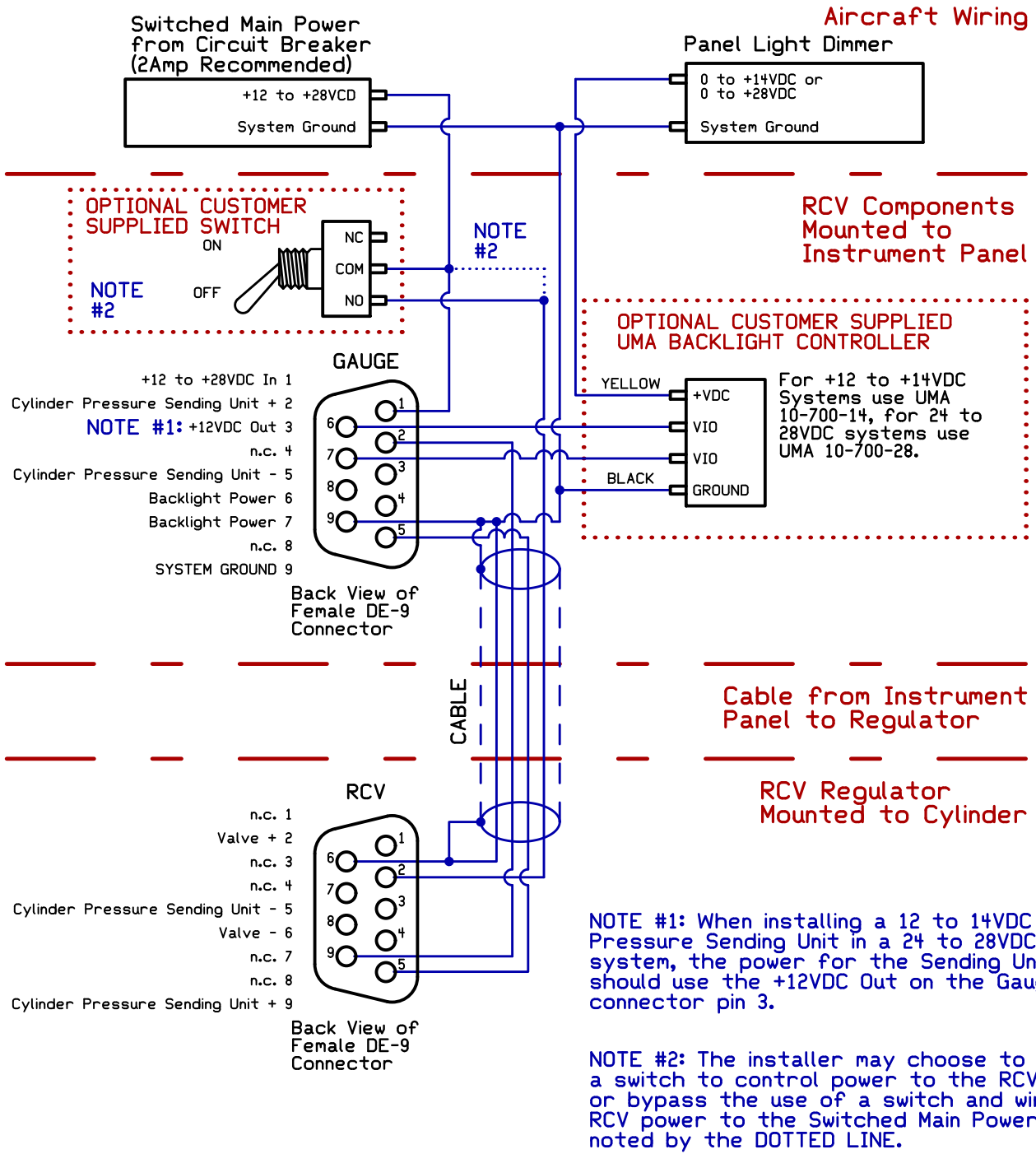
Electrical discharge from static electricity, possibly generated by high fluid flow under certain conditions, may occur, especially where particle contaminants are present. Composite fiber wound cylinders do not present any static electricity hazards unless they are not electrically part of the metallic components of the system or have the internal envelope (liner) ungrounded. Make sure your installation includes grounding the composite cylinder at the metallic point of the neck to the common ground point of the aircraft system.

Responsibility:

It is the duty of the installer and user of the system to ensure that clean and proper practices are used to install, service and use the system.

REVISION HISTORY

REV	DATE	ECO / APPR	NOTES
-	2012-01-20	2012-004	Initial Release
-	-	-	-
-	-	-	-



MOUNTAIN HIGH E&S CO. 2244 SE AIRPORT WAY, STE 100 REDMOND, OR. 97756 USA	DWG. NO.: RCV00-050-000	REV: -	Last Mod: 2012-01-20
	Title: RCV INSTALLATION WIRING DIAGRAM		Origin Date: 2012-01-17
ACCURACY: 0.XX" = +/- 0.005", 0.XXX" = +/- 0.001"	DRAWN: Tom Decker	Date: 2012-01-19	
SCALE: DO NOT SCALE	DWG. SIZE: A	ENGR: Tom Decker	Date: 2012-01-20
THIS DOCUMENT AND ALL TECHNICAL DATA HEREON DISCLOSED ARE PROPERTY OF MOUNTAIN HIGH E&S CO. AND SHALL NOT BE USED, RELEASED OR DISCLOSED, IN WHOLE OR IN PART, WITHOUT WRITTEN PERMISSION FROM MOUNTAIN HIGH E&S CO. THIS DOCUMENT MUST BE RETURNED TO MOUNTAIN HIGH E&S CO. IMMEDIATELY UPON REQUEST.		ENGR: -	Date: -
5IRCV-0050-00		QC: Mike Gulley	Date: 2012-01-20
		MFG: Brad Stankey	Date: 2012-01-20
		Sheet 1 of 1	