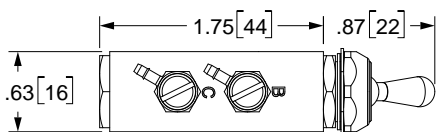
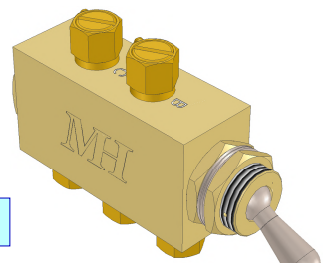
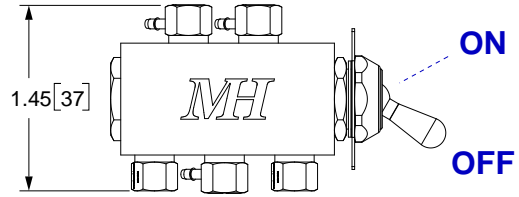


| REV | ECO | Release | Drawn | REVISION HISTORY |
|-----|----------|------------|-------|------------------|
| B3 | 2020-024 | 2020-07-31 | SGO | Customer Drawing |



C.N.O. B.N.C.

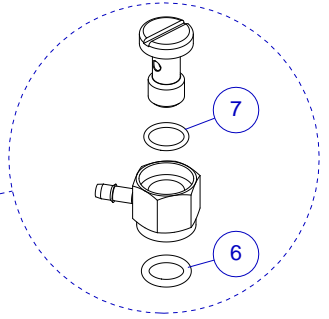
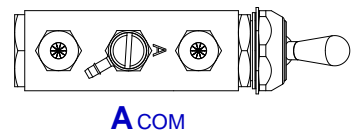


GENERAL SPECIFICATIONS

Material: Brass, Stainless Steel
 Weight: 4.6 oz [130 g]
 Mounting Hole: Ø.500[1/2"]; 12mm
 Mounting Thread: 15/32-32 UNS
 Control Ports: #10-32 UNF
 Pressure Rating: 150 PSIG MAX
 Temp Range: -15°F to +400°F [-29°C to +204°C]

Notes

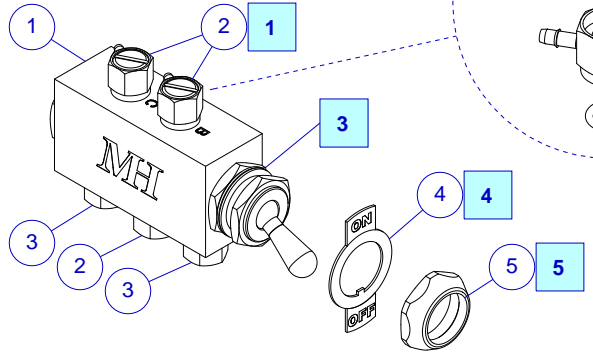
- [1] Banjo-style tube-barb fittings (Item 2) may be reoriented as required. Loosen top portion of fitting with standard screwdriver, adjust orientation and re-tighten. Hex flats are 5/16" wrench size.
 - [2] Connect pneumatic control switch to regulator as shown in table using 1/8" OD PolyUrethane tubing Items (8)(9)(10).
 - [3] Jam nut is optional in accordance with requirements and space available. Two lockwashers are supplied with switch.
 - [4] As required, install Switch Plate (4) and orient "ON/OFF" legend as shown to maintain concordance with regulator operation.
 - [5] Dress Nut (5) may be installed as preferred.
6. Spare/replacement parts may be ordered separately from MH per the part numbers indicated. Tubing (Items 8, 9, 10 not shown) is ordered by the foot.



Key

1 Item #

1 Note



| 2 | Regulator Connection | | |
|--------------|----------------------|-------------|--|
| Tubing Color | Regulator Port | Switch Port | |
| Yellow | "A" | "A" | |
| Orange | "B" | "B" | |
| Gray | "C" | "C" | |

| Pneumatic Valve Kits | |
|----------------------|---|
| MH p/n | Description |
| APCR0-0117-00 | Valve and all fittings as shown |
| APCR0-0118-00 | Valve and all fittings as shown plus 20 ft each of items (8)(9)(10) PolyUrethane Tubing |

Replacement parts

| Item | Part Number | Description |
|------|---------------|--|
| 1 | 19026-0007-01 | Pneumatic Valve/Switch |
| 2 | 19055-1002-00 | Banjo Fitting |
| 3 | 09025-0023-00 | Breather |
| 4 | 50001-0003-00 | Switch Plate, "On/Off" |
| 5 | 19027-0006-00 | Dress Nut |
| 6 | 09001-1516-70 | O-ring, Banjo Body, Silicone |
| 7 | 09001-1014-70 | O-ring, Banjo Stud, Silicone |
| 8 | 19600-0005-00 | PolyUrethane Tubing, 1/8" OD, Yellow [Order Qty: Feet] |
| 9 | 19600-0007-00 | PolyUrethane Tubing, 1/8" OD, Gray [Order Qty: Feet] |
| 10 | 19600-0006-00 | PolyUrethane Tubing, 1/8" OD, Orange [Order Qty: Feet] |

UNLESS OTHERWISE SPECIFIED, DIMENSIONS ARE IN INCHES. DIMENSIONS IN [] ARE MILLIMETERS (REF)
 TOLERANCES ARE:
 0.X ±0.015 ANGLES ±3°
 0.XX ±0.010 FRACTIONS ±1/64
 0.XXX ±0.005
 INTERPRET GD&T PER ASME 14.5

MH MOUNTAIN HIGH E&S CO. REDMOND, OR. USA

THIS DOCUMENT AND ALL TECHNICAL DATA HEREON DISCLOSED ARE PROPERTY OF MOUNTAIN HIGH E&S CO. AND SHALL NOT BE USED, RELEASED OR DISCLOSED IN WHOLE OR PART WITHOUT WRITTEN PERMISSION FROM MOUNTAIN HIGH E&S CO. THIS DOCUMENT MUST BE RETURNED TO MOUNTAIN HIGH E&S CO. IMMEDIATELY UPON REQUEST.

THIRD ANGLE PROJECTION

DRAWN SGO 2020-07-21

CHECKED

ENGINEER

APPROVED

DO NOT SCALE DRAWING

DWG TITLE: Customer Drawing, Pneumatic Valve, 4-way [SCD]

DWG NUMBER: **51CR0-0118-00**

DWG REV. **B3**

CAD FILE: APCR0-0117-00\$-0

INV. PART NUMBER: APCR0-0117-00

PROD. NAME: APCR0-0118-00

DWG FORMAT: ESR-002 Rev H [23]

DWG SCALE

DWG SHEET 1 OF 1

DWG SIZE 11x8 1/2"

Insert #: 51CR0-0118-00