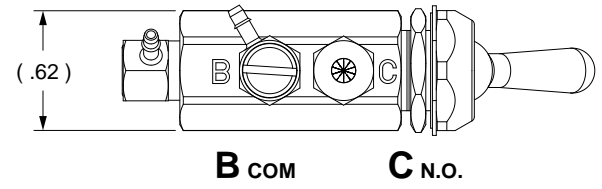
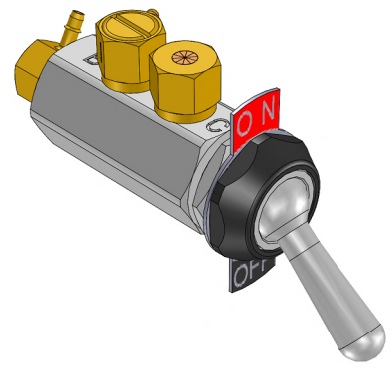
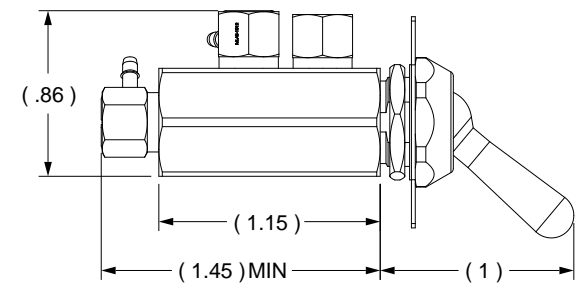
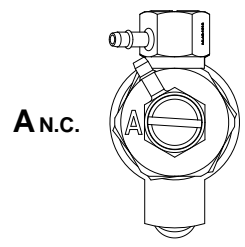
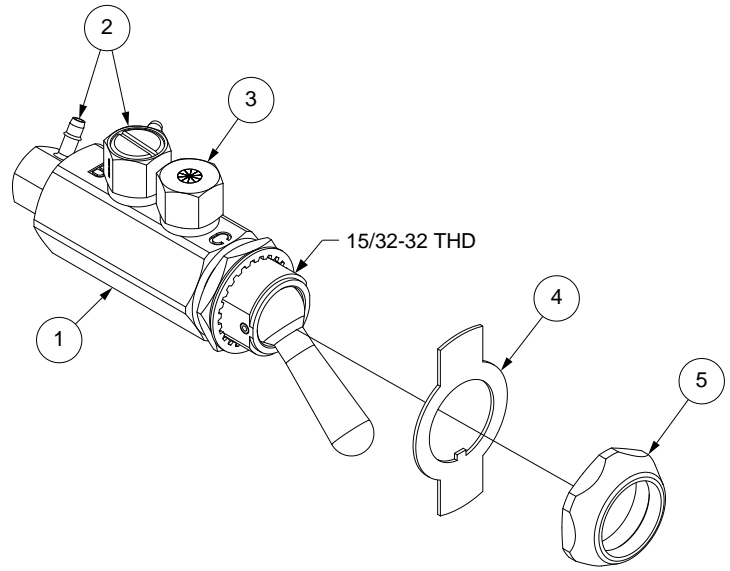


1 2 3 4

A



B



C

A

B

C

D

| REF | QTY | Part Number | Rev | Description |
|-----|-----|---------------|-----|--|
| 1 | 1 | 19026-0004-01 | | Switch, Pneumatic, 3-way, #10-32 ported exhaust, Metal Togg |
| 2 | 2 | 19055-0002-00 | | Banjo Fitting, Adjustable, 90° elbow, #10-32 x Barb, 1/16 ID T |
| 3 | 1 | 09025-0023-00 | | Breather, #10-32 |
| 4 | 1 | 50001-0003-00 | | Switch Plate, "On/Off" |
| 5 | 1 | 19027-0006-00 | | Dress Nut, Black Anodized, 15/32-32 THD |

UNLESS OTHERWISE SPECIFIED, DIMENSIONS ARE IN INCHES. TOLERANCES ARE:
 0.X ±0.015 ANGLES ±0.5°
 0.XX ±0.010 FRACTIONS ±1/64
 0.XXX ±0.005

63 ✓

INTERPRET GD&T PER ASME 14.5

THIRD ANGLE PROJECTION

DO NOT SCALE DRAWING

MH MOUNTAIN HIGH E&S CO. REDMOND, OR. USA

THIS DOCUMENT AND ALL TECHNICAL DATA HEREON DISCLOSED ARE PROPERTY OF MOUNTAIN HIGH E&S CO. AND SHALL NOT BE USED, RELEASED OR DISCLOSED IN WHOLE OR PART WITHOUT WRITTEN PERMISSION FROM MOUNTAIN HIGH E&S CO. THIS DOCUMENT MUST BE RETURNED TO MOUNTAIN HIGH E&S CO. IMMEDIATELY UPON REQUEST.

Emergency Bypass Control Switch Assy [SCD]

DWG TITLE

DWG NUMBER **5I000-0152-00** DWG REV. **-1**

CAD FILE INV. PART NUMBER APCR0-0152-00 PRODUCT NAME

DWG FORMAT: ESR-002 Rev H [13] DWG SCALE DWG SHEET 1 OF 1 DWG SIZE A

D

1 2 3 4